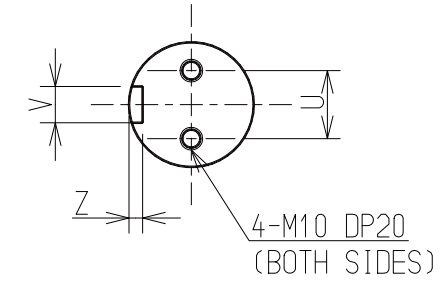
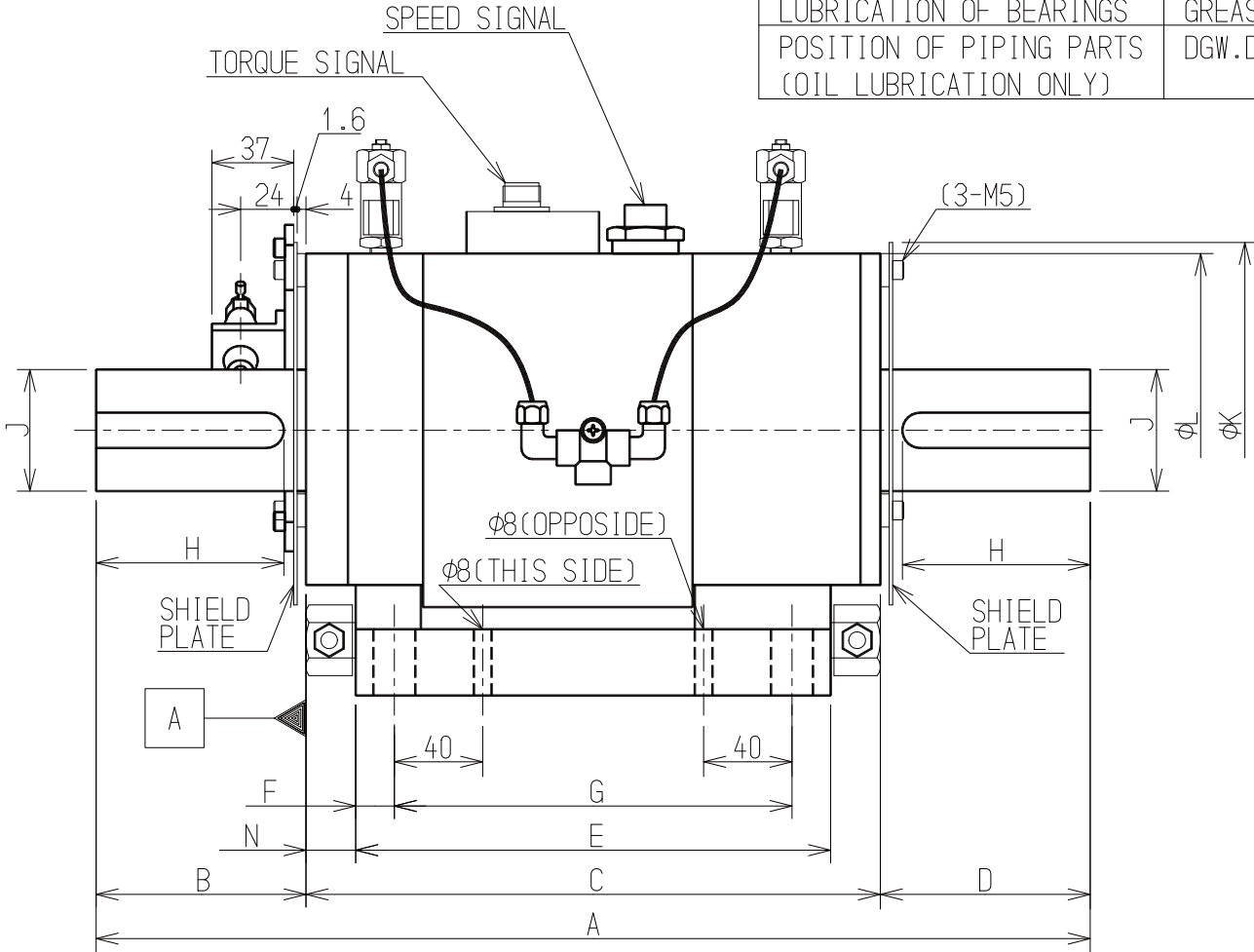
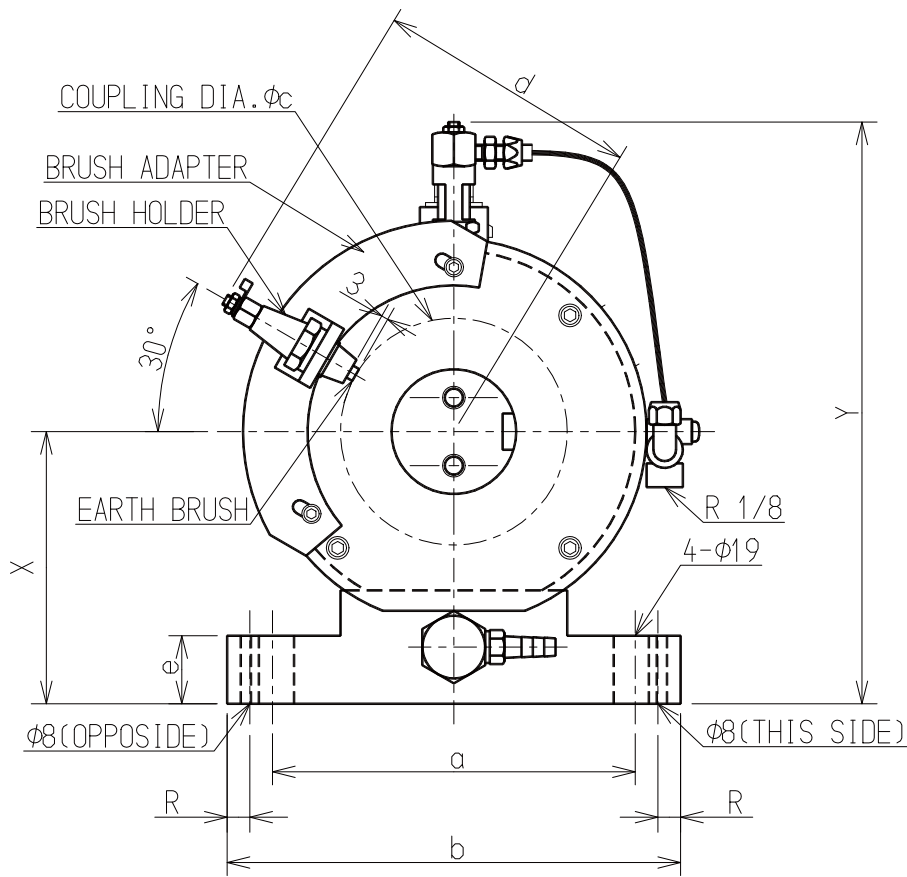




A

B

C



● APPOINTMENT ITEM		
LUBRICATION OF BEARINGS	GREASE LUBRICATION	OIL LUBRICATION
POSITION OF PIPING PARTS (OIL LUBRICATION ONLY)	DGW.DIRECTION	OPPOSITE DIRECTION

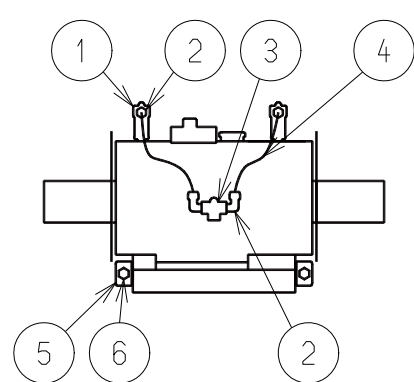
<DIMENSIONS>

UNIT : mm

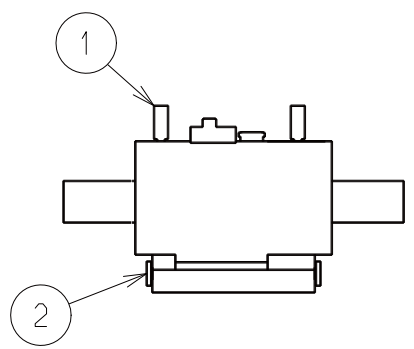
TYPE	A	B	C	D	E	F	G	H	J	K	L	N	R	U	V	X	Y	Z	a	b	c	d	e
TMNR-500NME																							
TMNR-1KNME	450	95	260	95	215	17.5	180	85	φ55h6	φ170	φ160	22.5	10	30	16 <sup>+0.018</sup> <sub>-0.061</sub>	120 <sup>-0.2</sup> <sub>-0.3</sub>	255	6 <sup>+0.2</sup>	160	200	φ90~φ100	113~118	30
TMNR-2KNME																							
TMNR-3KNME	500	115	270	115	225	17.5	190	105	φ65h6	φ190	φ180	22.5	12	30	18 <sup>+0.018</sup> <sub>-0.061</sub>	150 <sup>-0.2</sup> <sub>-0.3</sub>	295	7 <sup>+0.2</sup>	200	240	φ110~φ120	123~128	50
TMNR-5KNME	530	115	300	115	250	25	200	105	φ75h6	φ210	φ200	25	12	50	20 <sup>+0.022</sup> <sub>-0.074</sub>	150 <sup>-0.2</sup> <sub>-0.3</sub>	305	7.5 <sup>+0.2</sup>	200	240	φ130~φ140	133~138	45

OIL LUBRICATION DETAIL

GREASE LUBRICATION DETAIL



NO.	NAME	TYPE	MAKER
1	OILER	106530	LUBE
2	JOINT	A6,B6 R1/8	NTN
3	CONNECTOR	JV-3	LUBE
4	NYLONTUBE	AS1100-06	NTN
5	ELBOW	K503318-1	NMB
6	HOSE JOINT	NH-115 3/8IN	KOYO



NO.	NAME	TYPE
1	NIPULL	G 1/8
2	TAPER PLUG	G 1/4

公布	
K	
S	
T	
F	

注記 1. For grease type is dont attached shield plate and joint pipe no 1~6. Therefore brush adapter should be attached [A] surface.  
 2. Brush adapter is can fitted up opposite direction.

<b>ミネベア株式会社</b> MINEBEA CO.,LTD. <b>計測機器事業部</b> MEASURING COMPONENTS BUSINESS UNIT	作成日 DATE 2015.11.04
	品名 DESCRIPTION <b>OUTLINE</b>
	品番 PART NO.(MODEL NO.) 葉番 SHEET TMNR-500NME~5KNME 2/2
	図番 DRAWING NO. 改訂 REV. KT51750-2 B