

SPECIFICATIONS

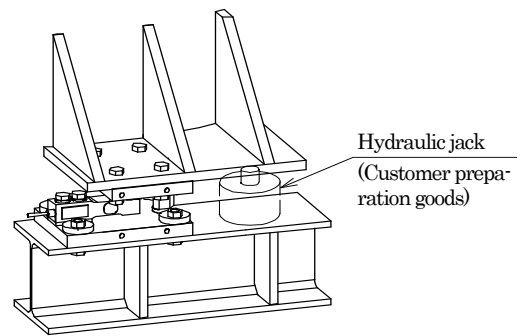
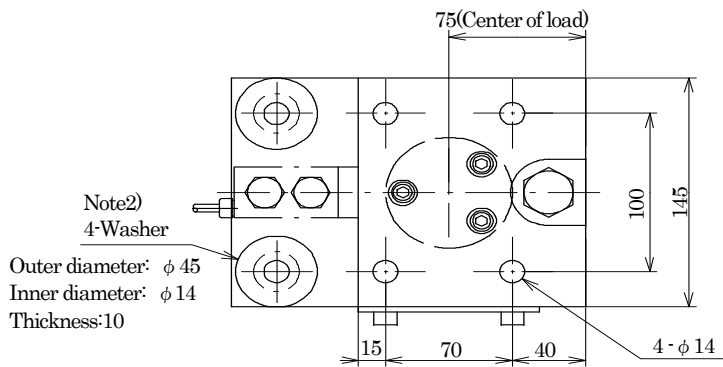
Rocker pin type mounting attachment with slide stop mechanism for C3B1-200K~5T-NS

Mounting attachment with slide stop mechanism RCA-C3B1-※

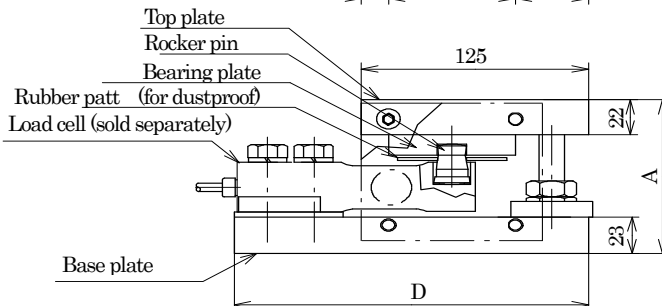
Spec. No. EN216034-H 1/1

- Applicable load cell : C3B1-200K~5T-S
- Safe overload Note-1) : 150 %R.C. Note-2)
- Allowable horizontal load : 30 %R.C.
- Allowable horizontal moving length : ± 2 mm (No directionality)
- Allowable lifting load : 19.61 Kn { 2 tf } (Fall prevention)
- Surface treatment : Plating (Material : Equivalent to SS400)
- Note-1) Safe overload : An allowable overload of the C3B1 is shown.
- Note-2) R.C.(RATED CAPACITY) : A rated capacity of the C3B1 is shown.

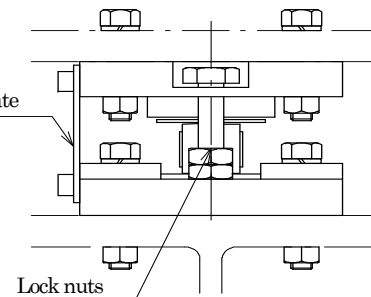
Composition	
Main body	1
Washer	4
Guide plate	1



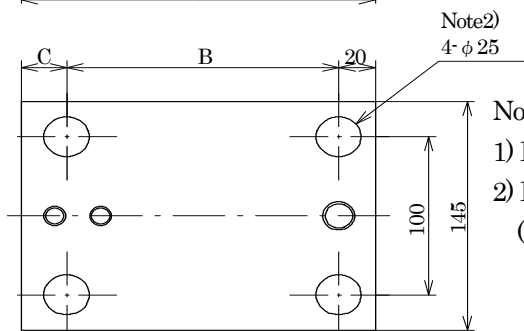
Construction example



Note1) Guide plate



Lock nuts



Note

- 1) Please remove the guide plate after the installation.
 - 2) Please install the base plate by the washer.
- (Recommended installation screw : M12)

Unit : mm

Outline dimensions

Unit: mm

P/N	Applicable load cell	A	B	C	D	Weight (Approx.kg)
RCA-C3B1-200K/1T	C3B1-200K~1T-NS	97	150	25	195	9.1
RCA-C3B1-2T/5T	C3B1-2T~5T-NS	110	190	20	230	10.1

※Specifications and outline dimensions and so on which have printed may subject to change for the purpose of improvement.