

The S-19255 Series, developed by using CMOS process technology, is a positive voltage regulator with high-accuracy output voltage. This IC has high ripple-rejection of 80 dB typ. Also, a built-in overcurrent protection circuit to limit overcurrent of the output transistor and a built-in thermal shutdown circuit to limit heat are included. In addition to the conventional small package SOT-23-5, the super-small package HSNT-4(1010)B is added to the lineup, which realizes higher-density mounting.

ABLIC Inc. offers a "thermal simulation service" which supports the thermal design in conditions when our power management ICs are in use by customers. Our thermal simulation service will contribute to reducing the risk in the thermal design at customers' development stage.

ABLIC Inc. also offers FIT rate calculated based on actual customer usage conditions in order to support customer functional safety design.

Contact our sales representatives for details.

Caution This product can be used in vehicle equipment and in-vehicle equipment. Before using the product for these purposes, it is imperative to contact our sales representatives.

■ Features

- Output voltage: 0.9 V to 3.6 V, selectable in 0.05 V step
- Input voltage: 1.5 V to 5.5 V
- Output voltage accuracy: $\pm 2.0\%$ ($T_j = -40^\circ\text{C}$ to $+125^\circ\text{C}$)
- Current consumption:
 - During operation: 55 μA typ., 89 μA max. ($T_j = -40^\circ\text{C}$ to $+125^\circ\text{C}$)
 - During power-off: 0.1 μA typ., 6.4 μA max. ($T_j = -40^\circ\text{C}$ to $+125^\circ\text{C}$)
- Dropout voltage: 120 mV typ.
(HSNT-4(1010)B package products, 2.5 V output product, at $I_{\text{OUT}} = 200$ mA)
- Output current: Possible to output 300 mA (at $V_{\text{IN}} \geq V_{\text{OUT(S)}} + 1.0$ V)^{*1}
- Ripple rejection: 50 dB typ. ($V_{\text{OUT(S)}} = 3.3$ V, at $f = 100$ kHz)
80 dB typ. ($V_{\text{OUT(S)}} = 3.3$ V, at $f = 1.0$ kHz)
- Input capacitor: A ceramic capacitor can be used. (0.1 μF or more)
- Output capacitor: A ceramic capacitor can be used. (1.0 μF or more)
- Built-in overcurrent protection circuit: Limits overcurrent of output transistor.
- Built-in thermal shutdown circuit: Detection temperature 175°C typ.
- Built-in ON / OFF circuit: Ensures long battery life.
Pull-down function "available" / "unavailable" is selectable.
Discharge shunt function "available" / "unavailable" is selectable.
- Operation temperature range: $T_a = -40^\circ\text{C}$ to $+125^\circ\text{C}$
- Lead-free (Sn 100%), halogen-free
- AEC-Q100 qualified^{*2}

*1. Please make sure that the loss of the IC will not exceed the power dissipation when the output current is large.

*2. Contact our sales representatives for details.

■ Applications

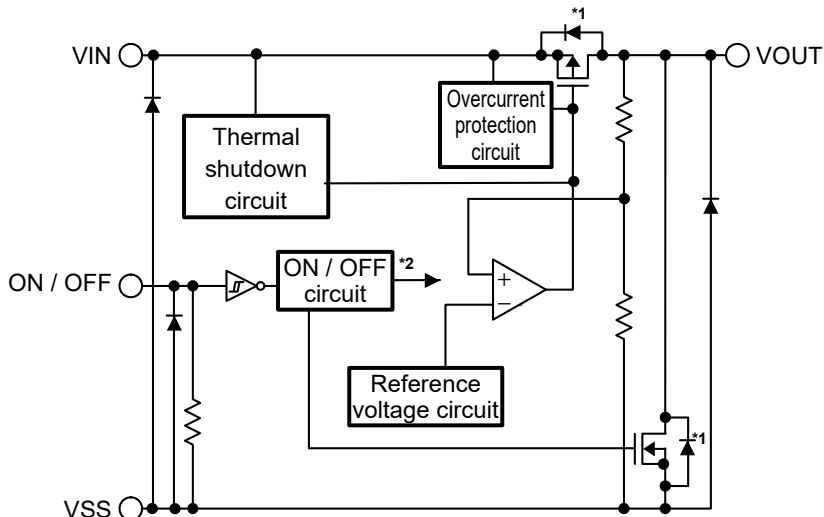
- For automotive use (engine, transmission, suspension, ABS, related-devices for EV / HEV / PHEV, etc.)
- For automotive use (front sensing camera, DMS, FCW)
: SOT-23-5 package product
- For automotive use (accessory, car navigation system, car audio system, etc.)
- Surround view camera for automotive
: HSNT-4(1010)B package product
- Constant-voltage power supply for electrical application for vehicle interior

■ Packages

- SOT-23-5
- HSNT-4(1010)B

■ **Block Diagrams**

1. S-19255 Series A type



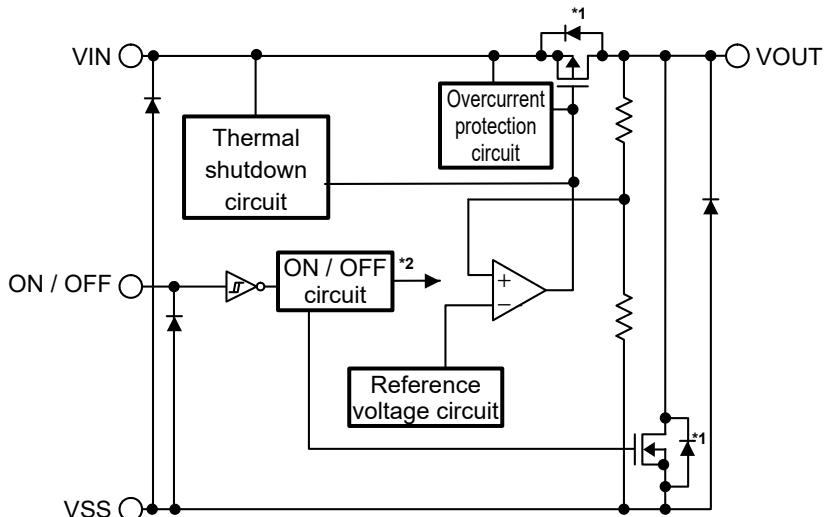
Function	Status
ON / OFF logic	Active "H"
Discharge shunt function	Available
Pull-down resistor	Available

*1. Parasitic diode

*2. The ON / OFF circuit controls the internal circuit and the output transistor.

Figure 1

2. S-19255 Series B type



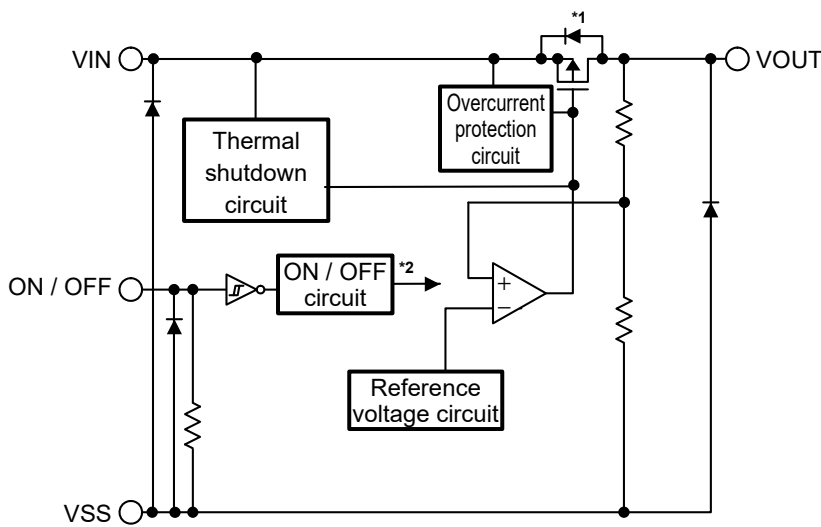
Function	Status
ON / OFF logic	Active "H"
Discharge shunt function	Available
Pull-down resistor	Unavailable

*1. Parasitic diode

*2. The ON / OFF circuit controls the internal circuit and the output transistor.

Figure 2

3. S-19255 Series C type



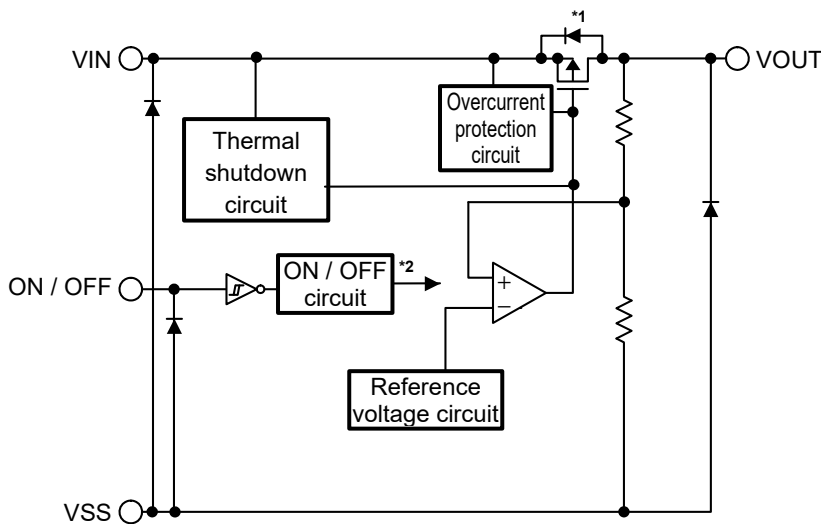
Function	Status
ON / OFF logic	Active "H"
Discharge shunt function	Unavailable
Pull-down resistor	Available

*1. Parasitic diode

*2. The ON / OFF circuit controls the internal circuit and the output transistor.

Figure 3

4. S-19255 Series D type



Function	Status
ON / OFF logic	Active "H"
Discharge shunt function	Unavailable
Pull-down resistor	Unavailable

*1. Parasitic diode

*2. The ON / OFF circuit controls the internal circuit and the output transistor.

Figure 4

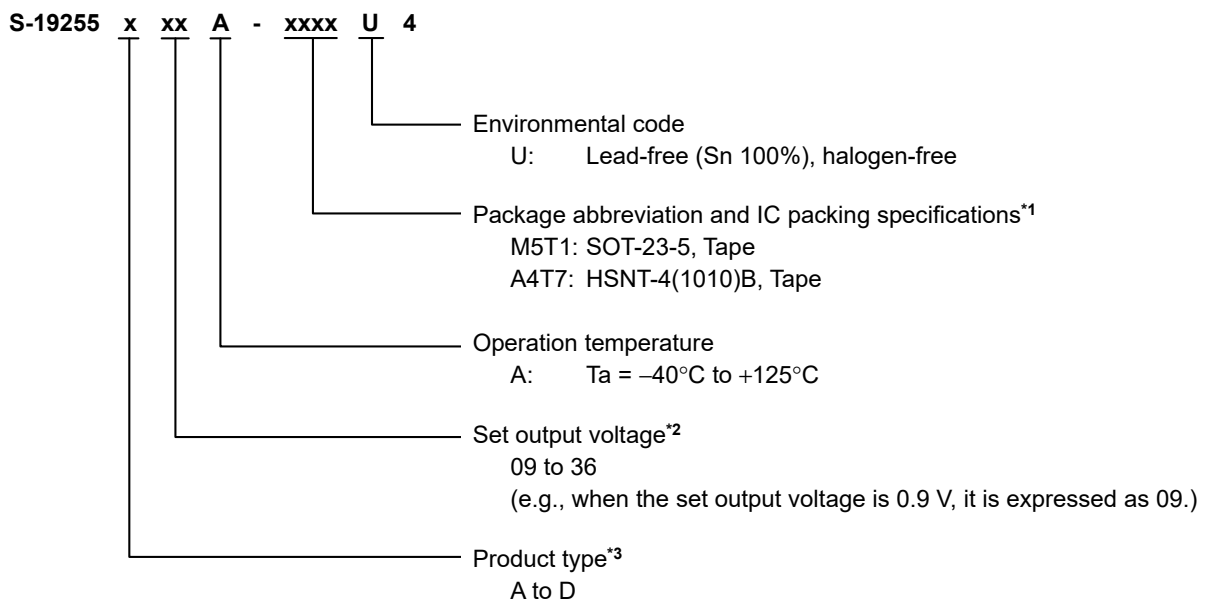
■ **AEC-Q100 Qualified**

This IC supports AEC-Q100 for operation temperature grade 1.
 Contact our sales representatives for details of AEC-Q100 reliability specification.

■ **Product Name Structure**

Users can select the product type, output voltage, and package type for the S-19255 Series. Refer to "1. **Product name**" regarding the contents of product name, "2. **Function list of product types**" regarding the product type, "3. **Packages**" regarding the package drawings, "4. **Product name list**" regarding details of the product name.

1. **Product name**



- *1. Refer to the tape drawing.
- *2. If you request the product which has 0.05 V step, contact our sales representatives.
- *3. Refer to "2. **Function list of product types**".

2. Function list of product types

Table 1

Product Type	ON / OFF Logic	Discharge Shunt Function	Pull-down Resistor
A	Active "H"	Available	Available
B	Active "H"	Available	Unavailable
C	Active "H"	Unavailable	Available
D	Active "H"	Unavailable	Unavailable

3. Packages

Table 2 Package Drawing Codes

Package Name	Dimension	Tape	Reel	Land
SOT-23-5	MP005-A-P-SD	MP005-A-C-SD	MP005-A-R-SD	-
HSNT-4(1010)B	PL004-B-P-SD	PL004-B-C-SD	PL004-B-R-SD	PL004-B-L-SD

4. Product name list

4.1 S-19255 Series A type

ON / OFF logic: Active "H"
 Discharge shunt function: Available
 Pull-down resistor: Available

Table 3

Output Voltage	SOT-23-5	HSNT-4(1010)B
0.9 V ± 2.0%	S-19255A09A-M5T1U4	S-19255A09A-A4T7U4
1.0 V ± 2.0%	S-19255A10A-M5T1U4	S-19255A10A-A4T7U4
1.2 V ± 2.0%	S-19255A12A-M5T1U4	S-19255A12A-A4T7U4
1.8 V ± 2.0%	S-19255A18A-M5T1U4	S-19255A18A-A4T7U4
2.5 V ± 2.0%	S-19255A25A-M5T1U4	S-19255A25A-A4T7U4
2.7 V ± 2.0%	S-19255A27A-M5T1U4	S-19255A27A-A4T7U4
2.8 V ± 2.0%	S-19255A28A-M5T1U4	S-19255A28A-A4T7U4
2.9 V ± 2.0%	S-19255A29A-M5T1U4	S-19255A29A-A4T7U4
3.3 V ± 2.0%	S-19255A33A-M5T1U4	S-19255A33A-A4T7U4
3.6 V ± 2.0%	S-19255A36A-M5T1U4	S-19255A36A-A4T7U4

Remark Please contact our sales representatives for products other than the above.

4.2 S-19255 Series B type

ON / OFF logic: Active "H"
 Discharge shunt function: Available
 Pull-down resistor: Unavailable

Table 4

Output Voltage	SOT-23-5	HSNT-4(1010)B
0.9 V ± 2.0%	S-19255B09A-M5T1U4	S-19255B09A-A4T7U4
1.0 V ± 2.0%	S-19255B10A-M5T1U4	S-19255B10A-A4T7U4
1.2 V ± 2.0%	S-19255B12A-M5T1U4	S-19255B12A-A4T7U4
1.8 V ± 2.0%	S-19255B18A-M5T1U4	S-19255B18A-A4T7U4
2.5 V ± 2.0%	S-19255B25A-M5T1U4	S-19255B25A-A4T7U4
2.7 V ± 2.0%	S-19255B27A-M5T1U4	S-19255B27A-A4T7U4
2.8 V ± 2.0%	S-19255B28A-M5T1U4	S-19255B28A-A4T7U4
2.9 V ± 2.0%	S-19255B29A-M5T1U4	S-19255B29A-A4T7U4
3.3 V ± 2.0%	S-19255B33A-M5T1U4	S-19255B33A-A4T7U4
3.6 V ± 2.0%	S-19255B36A-M5T1U4	S-19255B36A-A4T7U4

Remark Please contact our sales representatives for products other than the above.

4.3 S-19255 Series C type

ON / OFF logic: Active "H"
 Discharge shunt function: Unavailable
 Pull-down resistor: Available

Table 5

Output Voltage	SOT-23-5	HSNT-4(1010)B
0.9 V ± 2.0%	S-19255C09A-M5T1U4	S-19255C09A-A4T7U4
1.0 V ± 2.0%	S-19255C10A-M5T1U4	S-19255C10A-A4T7U4
1.2 V ± 2.0%	S-19255C12A-M5T1U4	S-19255C12A-A4T7U4
1.8 V ± 2.0%	S-19255C18A-M5T1U4	S-19255C18A-A4T7U4
2.5 V ± 2.0%	S-19255C25A-M5T1U4	S-19255C25A-A4T7U4
2.7 V ± 2.0%	S-19255C27A-M5T1U4	S-19255C27A-A4T7U4
2.8 V ± 2.0%	S-19255C28A-M5T1U4	S-19255C28A-A4T7U4
2.9 V ± 2.0%	S-19255C29A-M5T1U4	S-19255C29A-A4T7U4
3.3 V ± 2.0%	S-19255C33A-M5T1U4	S-19255C33A-A4T7U4
3.6 V ± 2.0%	S-19255C36A-M5T1U4	S-19255C36A-A4T7U4

Remark Please contact our sales representatives for products other than the above.

4.4 S-19255 Series D type

ON / OFF logic: Active "H"
 Discharge shunt function: Unavailable
 Pull-down resistor: Unavailable

Table 6

Output Voltage	SOT-23-5	HSNT-4(1010)B
0.9 V ± 2.0%	S-19255D09A-M5T1U4	S-19255D09A-A4T7U4
1.0 V ± 2.0%	S-19255D10A-M5T1U4	S-19255D10A-A4T7U4
1.2 V ± 2.0%	S-19255D12A-M5T1U4	S-19255D12A-A4T7U4
1.8 V ± 2.0%	S-19255D18A-M5T1U4	S-19255D18A-A4T7U4
2.5 V ± 2.0%	S-19255D25A-M5T1U4	S-19255D25A-A4T7U4
2.7 V ± 2.0%	S-19255D27A-M5T1U4	S-19255D27A-A4T7U4
2.8 V ± 2.0%	S-19255D28A-M5T1U4	S-19255D28A-A4T7U4
2.9 V ± 2.0%	S-19255D29A-M5T1U4	S-19255D29A-A4T7U4
3.3 V ± 2.0%	S-19255D33A-M5T1U4	S-19255D33A-A4T7U4
3.6 V ± 2.0%	S-19255D36A-M5T1U4	S-19255D36A-A4T7U4

Remark Please contact our sales representatives for products other than the above.

■ **Pin Configurations**

1. **SOT-23-5**

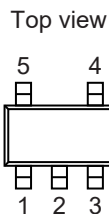


Figure 5

Table 7

Pin No.	Symbol	Description
1	VIN	Input voltage pin
2	VSS	GND pin
3	ON / OFF	ON / OFF pin
4	NC*1	No connection
5	VOUT	Output voltage pin

*1. The NC pin is electrically open.
 The NC pin can be connected to the VIN pin or the VSS pin.

2. **HSNT-4(1010)B**

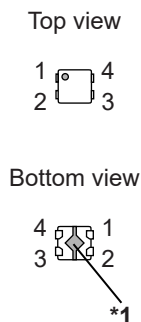


Figure 6

Table 8

Pin No.	Symbol	Description
1	VOUT	Output voltage pin
2	VSS	GND pin
3	ON / OFF	ON / OFF pin
4	VIN	Input voltage pin

*1. Connect the heat sink of backside at shadowed area to the board, and set electric potential GND.
 However, do not use it as the function of electrode.

■ **Absolute Maximum Ratings**

Table 9

(Ta = +25°C unless otherwise specified)

Item	Symbol	Absolute Maximum Rating	Unit
Input voltage	V _{IN}	V _{SS} - 0.3 to V _{SS} + 6.0	V
	V _{ON/OFF}	V _{SS} - 0.3 to V _{SS} + 6.0	V
Output voltage	V _{OUT}	V _{SS} - 0.3 to V _{IN} + 0.3 ≤ V _{SS} + 6.0	V
Output current	I _{OUT}	360	mA
Junction temperature	T _J	-40 to +150	°C
Operation ambient temperature	T _{opr}	-40 to +125	°C
Storage temperature	T _{stg}	-40 to +150	°C

Caution The absolute maximum ratings are rated values exceeding which the product could suffer physical damage. These values must therefore not be exceeded under any conditions.

■ **Thermal Resistance Value**

Table 10

Item	Symbol	Condition	Min.	Typ.	Max.	Unit	
Junction-to-ambient thermal resistance*1	θ _{JA}	SOT-23-5	Board A	-	192	-	°C/W
			Board B	-	160	-	°C/W
			Board C	-	-	-	°C/W
			Board D	-	-	-	°C/W
			Board E	-	-	-	°C/W
		HSNT-4(1010)B	Board A	-	378	-	°C/W
			Board B	-	317	-	°C/W
			Board C	-	-	-	°C/W
			Board D	-	-	-	°C/W
			Board E	-	-	-	°C/W

*1. Test environment: compliance with JEDEC STANDARD JESD51-2A

Remark Refer to "■ Power Dissipation" and "Test Board" for details.

■ **Electrical Characteristics**

Table 11 (1 / 2)

(T_j = -40°C to +125°C unless otherwise specified)

Item	Symbol	Condition	Min.	Typ.	Max.	Unit	Test Circuit	
Output voltage*1	V _{OUT(E)}	V _{IN} = V _{OUT(S)} + 1.0 V, I _{OUT} = 30 mA	V _{OUT(S)} × 0.98	V _{OUT(S)}	V _{OUT(S)} × 1.02	V	1	
Output current*2	I _{OUT}	V _{IN} ≥ V _{OUT(S)} + 1.0 V	300*4	—	—	mA	3	
Dropout voltage*3	V _{drop}	I _{OUT} = 200 mA, Ta = +25°C SOT-23-5 package products	0.9 V ≤ V _{OUT(S)} < 1.0 V	0.600	0.610	0.620	V	1
			1.0 V ≤ V _{OUT(S)} < 1.1 V	—	—	0.520	V	1
			1.1 V ≤ V _{OUT(S)} < 1.2 V	—	—	0.420	V	1
			1.2 V ≤ V _{OUT(S)} < 1.3 V	—	—	0.340	V	1
			1.3 V ≤ V _{OUT(S)} < 1.4 V	—	—	0.310	V	1
			1.4 V ≤ V _{OUT(S)} < 1.5 V	—	—	0.280	V	1
			1.5 V ≤ V _{OUT(S)} < 1.7 V	—	—	0.240	V	1
			1.7 V ≤ V _{OUT(S)} < 2.0 V	—	—	0.210	V	1
			2.0 V ≤ V _{OUT(S)} < 2.5 V	—	—	0.190	V	1
		2.5 V ≤ V _{OUT(S)} ≤ 3.3 V	—	0.140	0.160	V	1	
		I _{OUT} = 200 mA, Ta = +25°C, HSNT-4(1010)B package products	0.9 V ≤ V _{OUT(S)} < 1.0 V	0.600	0.610	0.620	V	1
			1.0 V ≤ V _{OUT(S)} < 1.1 V	—	—	0.520	V	1
			1.1 V ≤ V _{OUT(S)} < 1.2 V	—	—	0.420	V	1
			1.2 V ≤ V _{OUT(S)} < 1.3 V	—	—	0.320	V	1
			1.3 V ≤ V _{OUT(S)} < 1.4 V	—	—	0.290	V	1
			1.4 V ≤ V _{OUT(S)} < 1.5 V	—	—	0.250	V	1
			1.5 V ≤ V _{OUT(S)} < 1.7 V	—	—	0.210	V	1
			1.7 V ≤ V _{OUT(S)} < 2.0 V	—	—	0.190	V	1
2.0 V ≤ V _{OUT(S)} < 2.5 V	—		—	0.170	V	1		
2.5 V ≤ V _{OUT(S)} ≤ 3.3 V	—	0.120	0.140	V	1			
Line regulation	$\frac{\Delta V_{OUT1}}{\Delta V_{IN} \cdot V_{OUT}}$	V _{OUT(S)} + 0.5 V ≤ V _{IN} ≤ 5.5 V, I _{OUT} = 30 mA	—	0.05	0.2	%/V	1	
Load regulation	ΔV _{OUT2}	V _{IN} = V _{OUT(S)} + 1.0 V, 1 mA ≤ I _{OUT} ≤ 150 mA, Ta = +25°C	—	7	20	mV	1	
Current consumption during operation	I _{SS1}	V _{IN} = V _{OUT(S)} + 1.0 V, ON / OFF pin = ON, no load	—	55	89	μA	2	
Current consumption during power-off	I _{SS2}	V _{IN} = V _{OUT(S)} + 1.0 V, ON / OFF pin = OFF, no load	—	0.1	6.4	μA	2	
Input voltage	V _{IN}	—	1.5	—	5.5	V	—	
ON / OFF pin input voltage "H"	V _{SH}	V _{IN} = V _{OUT(S)} + 1.0 V, R _L = 1.0 kΩ determined by V _{OUT} output level	1.0	—	—	V	4	
ON / OFF pin input voltage "L"	V _{SL}	V _{IN} = V _{OUT(S)} + 1.0 V, R _L = 1.0 kΩ determined by V _{OUT} output level	—	—	0.3	V	4	
ON / OFF pin input current "H"	I _{SH}	V _{IN} = 5.5 V, V _{ON / OFF} = 5.5 V	B / D type (without pull-down resistor)	-0.1	—	0.1	μA	4
		A / C type (with pull-down resistor)	1.0	2.5	6.4	μA	4	
ON / OFF pin input current "L"	I _{SL}	V _{IN} = 5.5 V, V _{ON / OFF} = 0 V	-0.1	—	0.1	μA	4	

AUTOMOTIVE, 125°C OPERATION, 5.5 V INPUT, 300 mA VOLTAGE REGULATOR

Rev.1.2_00

S-19255 Series

Table 11 (2 / 2)

(T_j = -40°C to +125°C unless otherwise specified)

Item	Symbol	Condition	Min.	Typ.	Max.	Unit	Test Circuit	
Ripple rejection	RR	V _{OUT(S)} = 3.3 V	V _{IN} = V _{OUT(S)} + 1.0 V, f = 100 kHz, ΔV _{rip} = 0.5 Vrms, I _{OUT} = 30 mA	-	50	-	dB	5
			V _{IN} = V _{OUT(S)} + 1.0 V, f = 1.0 kHz, ΔV _{rip} = 0.5 Vrms, I _{OUT} = 30 mA	-	80	-	dB	5
Short-circuit current	I _{short}	V _{IN} = V _{OUT(S)} + 1.0 V, ON / OFF pin = ON, V _{OUT} = 0 V, T _a = +25°C	-	50	-	mA	3	
Discharge shunt resistance during power-off	R _{LOW}	V _{IN} = 5.5 V, V _{OUT} = 0.1 V	-	35	-	Ω	6	
Power-off pull-down resistance	R _{PD}	-	0.8	2.2	6.0	MΩ	4	
Thermal shutdown detection temperature	T _{SD}	Junction temperature	-	175	-	°C	-	
Thermal shutdown release temperature	T _{SR}	Junction temperature	-	155	-	°C	-	

*1. V_{OUT(S)}: Set output voltage

V_{OUT(E)}: Actual output voltage

The output voltage when fixing I_{OUT} (= 30 mA) and inputting V_{OUT(S)} + 1.0 V

*2. The output current at which the output voltage becomes 95% of V_{OUT(E)} after gradually increasing the output current.

*3. V_{drop} = V_{IN1} - (V_{OUT3} × 0.98)

V_{IN1} is the input voltage at which the output voltage becomes 98% of V_{OUT3} after gradually decreasing the input voltage.

V_{OUT3} is the output voltage when V_{IN} = V_{OUT(S)} + 1.0 V and I_{OUT} = 200 mA.

*4. Due to limitation of the power dissipation, this value may not be satisfied. Attention should be paid to the power dissipation when the output current is large.

This specification is guaranteed by design.

■ **Test Circuits**

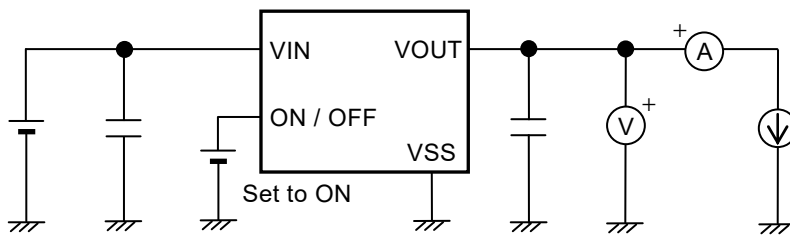


Figure 7 Test Circuit 1

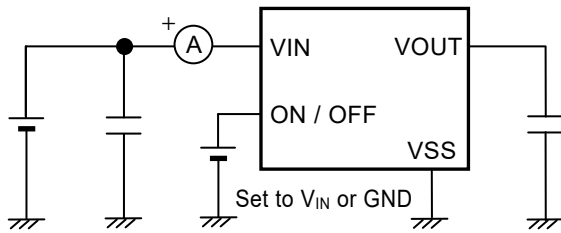


Figure 8 Test Circuit 2

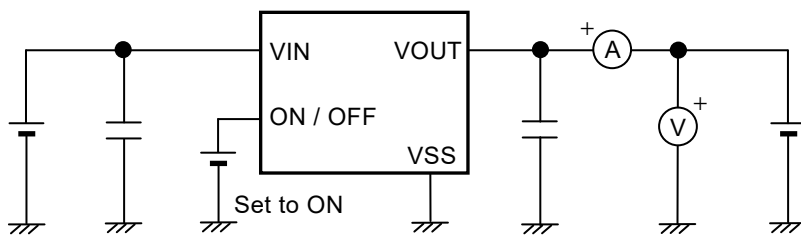


Figure 9 Test Circuit 3

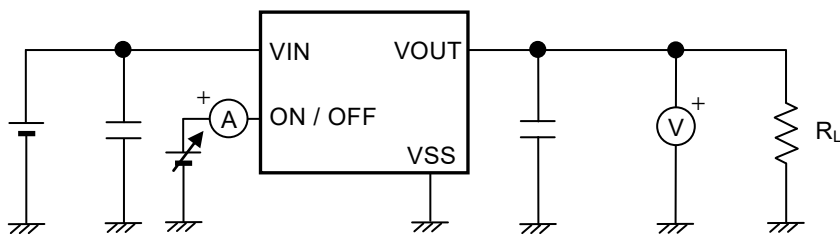


Figure 10 Test Circuit 4

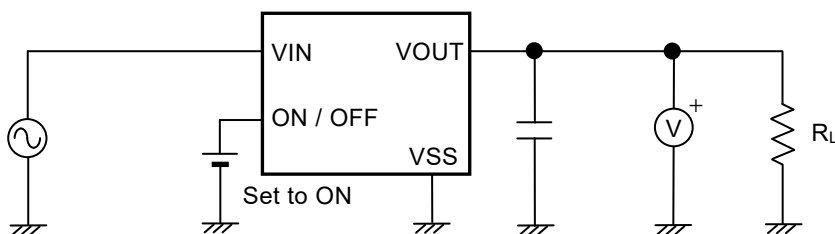


Figure 11 Test Circuit 5

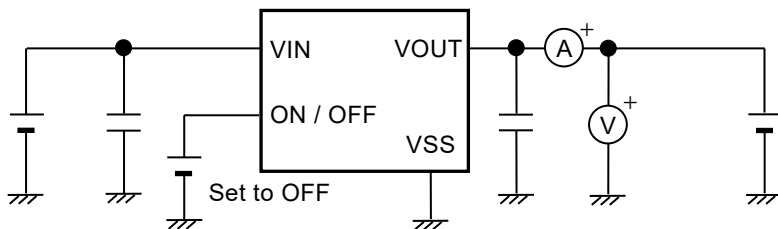
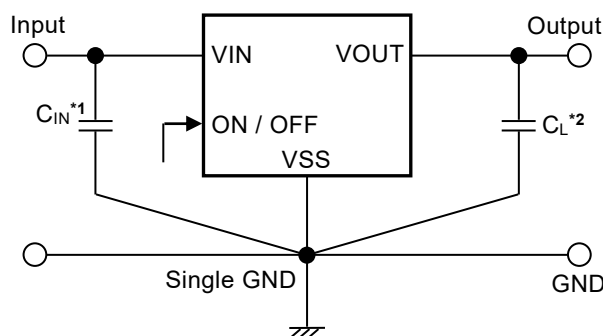


Figure 12 Test Circuit 6

■ **Standard Circuit**



- *1. C_{IN} is a capacitor for stabilizing the input.
- *2. C_L is a capacitor for stabilizing the output.

Figure 13

Caution The above connection diagram and constants will not guarantee successful operation. Perform thorough evaluation including the temperature characteristics with an actual application to set the constants.

■ **Condition of Application**

- Input capacitor (C_{IN}): A ceramic capacitor with capacitance of 0.1 μF or more is recommended.
- Output capacitor (C_L): A ceramic capacitor with capacitance of 1.0 μF or more is recommended.

Caution Generally, in a voltage regulator, an oscillation may occur depending on the selection of the external parts. Perform thorough evaluation including the temperature characteristics with an actual application using the above capacitors to confirm no oscillation occurs.

■ **Selection of Input Capacitor (C_{IN}) and Output Capacitor (C_L)**

The S-19255 Series requires C_L between the VOUT pin and the VSS pin for phase compensation. The operation is stabilized by a ceramic capacitor with capacitance of 1.0 μF or more. When using an OS capacitor, a tantalum capacitor or an aluminum electrolytic capacitor, the capacitance also must be 1.0 μF or more. However, an oscillation may occur depending on the equivalent series resistance (ESR).

Moreover, the S-19255 Series requires C_{IN} between the VIN pin and the VSS pin for a stable operation.

Generally, an oscillation may occur when a voltage regulator is used under the condition that the impedance of the power supply is high.

Note that the output voltage transient characteristics vary depending on the capacitance of C_{IN} and C_L and the value of ESR.

Caution Perform thorough evaluation including the temperature characteristics with an actual application to select C_{IN} and C_L .

■ Explanation of Terms

1. Low dropout voltage regulator

This voltage regulator has the low dropout voltage due to its built-in low on-resistance transistor.

2. Output voltage (V_{OUT})

This voltage is output at an accuracy of $\pm 2.0\%$ when the input voltage, the output current and the temperature are in a certain condition*1.

*1. Differs depending on the product.

Caution If the certain condition is not satisfied, the output voltage may exceed the accuracy range of $\pm 2.0\%$. Refer to "■ Electrical Characteristics" and "■ Characteristics (Typical Data)" for details.

3. Line regulation $\left(\frac{\Delta V_{OUT1}}{\Delta V_{IN} \bullet V_{OUT}} \right)$

Indicates the dependency of the output voltage on the input voltage. That is, the values show how much the output voltage changes due to a change in the input voltage with the output current remaining unchanged.

4. Load regulation (ΔV_{OUT2})

Indicates the dependency of the output voltage on the output current. That is, the values show how much the output voltage changes due to a change in the output current with the input voltage remaining unchanged.

5. Dropout voltage (V_{drop})

Indicates the difference between input voltage (V_{IN1}) and the output voltage when the output voltage becomes 98% of the output voltage value (V_{OUT3}) at $V_{IN} = V_{OUT(S)} + 1.0$ V after the input voltage (V_{IN}) is decreased gradually.

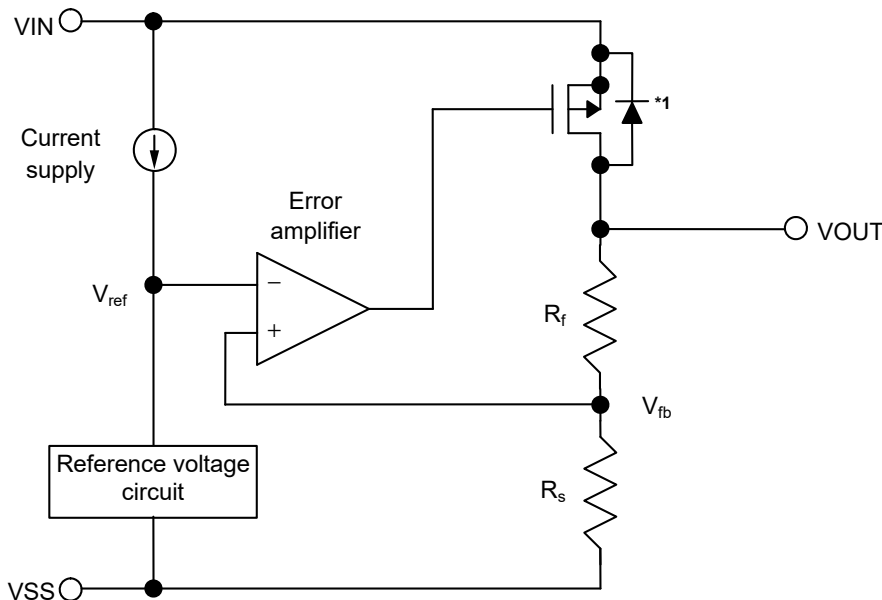
$$V_{drop} = V_{IN1} - (V_{OUT3} \times 0.98)$$

■ **Operation**

1. Basic operation

Figure 14 shows the block diagram of the S-19255 Series to describe the basic operation.

The error amplifier compares the feedback voltage (V_{fb}) whose output voltage (V_{OUT}) is divided by the feedback resistors (R_s and R_f) with the reference voltage (V_{ref}). The error amplifier controls the output transistor, consequently, the regulator starts the operation that keeps V_{OUT} constant without the influence of the input voltage (V_{IN}).



*1. Parasitic diode

Figure 14

2. Output transistor

In the S-19255 Series, a low on-resistance P-channel MOS FET is used between the VIN pin and the VOUT pin as the output transistor. In order to keep V_{OUT} constant, the on-resistance of the output transistor varies appropriately according to the output current (I_{OUT}).

Caution Since a parasitic diode exists between the VIN pin and the VOUT pin due to the structure of the transistor, the IC may be damaged by a reverse current if V_{OUT} becomes higher than V_{IN} . Therefore, be sure that V_{OUT} does not exceed $V_{IN} + 0.3$ V.

3. ON / OFF pin

The ON / OFF pin controls the internal circuit and the output transistor in order to start and stop the regulator. When the ON / OFF pin is set to OFF, the internal circuit stops operating and the output transistor between the VIN pin and the VOUT pin is turned off, reducing current consumption significantly.

Note that the current consumption increases when a voltage of 0.25 V to $V_{IN} - 0.3$ V is applied to the ON / OFF pin. The ON / OFF pin is configured as shown in **Figure 15** and **Figure 16**.

3.1 S-19255 Series A / C type

The ON / OFF pin is internally pulled down to the VSS pin in the floating status, so the VOUT pin is set to the VSS level.

For the ON / OFF pin current, refer to the ON / OFF pin input current "H" in **Table 11** in "■ **Electrical Characteristics**".

3.2 S-19255 Series B / D type

The ON / OFF pin is internally not pulled up or pulled down, so do not use this pin in the floating status. When not using the ON / OFF pin, connect the pin to the VIN pin.

Table 12

Product Type	ON / OFF Pin	Internal Circuit	VOUT Pin Voltage	Current Consumption
A / B / C / D	"H": ON	Operate	Constant value*1	I_{SS1} *2
A / B / C / D	"L": OFF	Stop	Pulled down to V_{SS} *3	I_{SS2}

*1. The constant value is output due to the regulating based on the set output voltage value.

*2. Note that the IC's current consumption increases as much as current flows into the pull-down resistor when the ON / OFF pin is connected to the VIN pin and the S-19255 Series A / C type is operating (refer to **Figure 15**).

*3. The VOUT pin voltage of the S-19255 Series A / B type is pulled down to V_{SS} due to combined resistance ($R_{LOW} = 35 \Omega$ typ.) of the discharge shunt circuit and the feedback resistors, and a load.

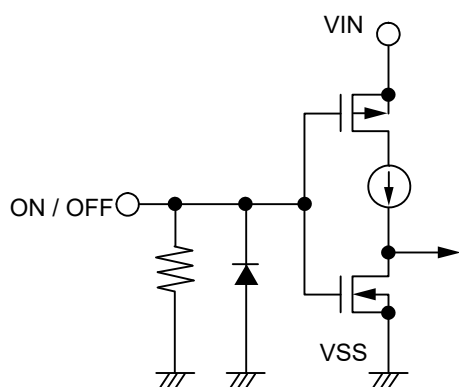


Figure 15 S-19255 Series A / C Type

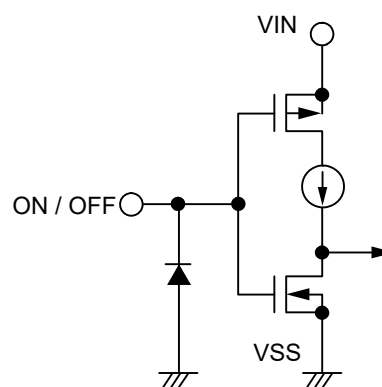


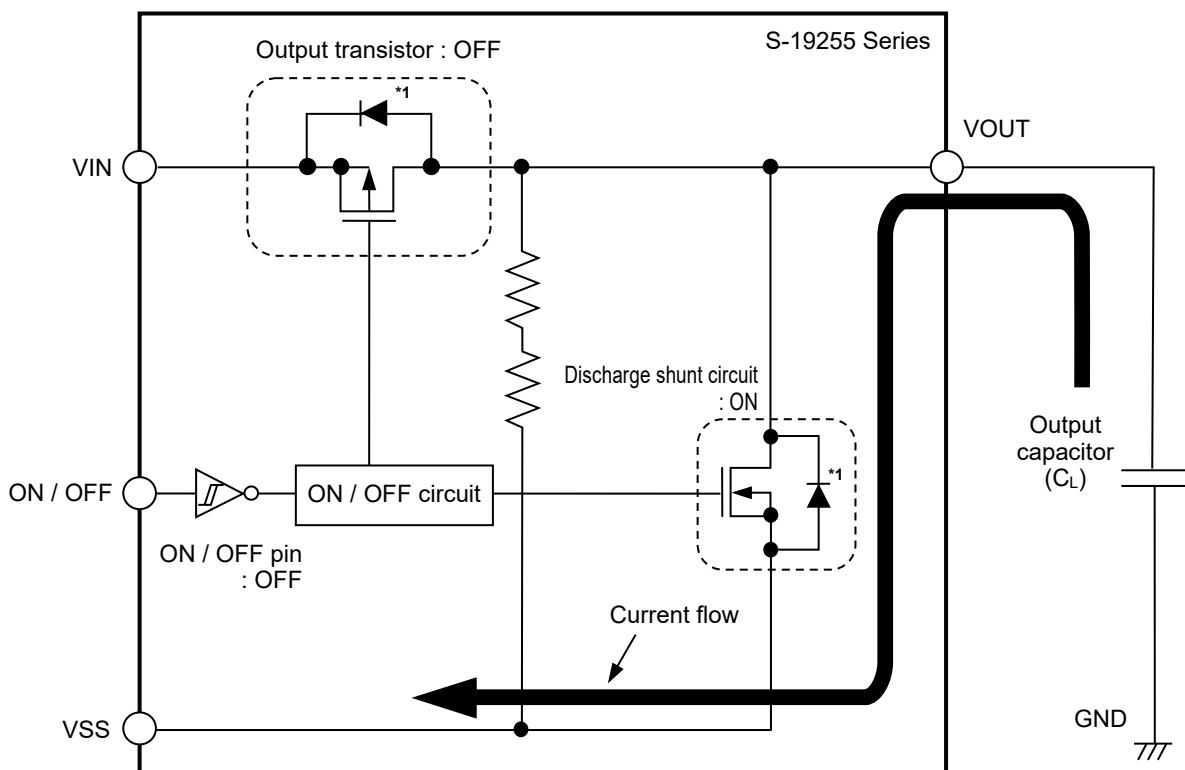
Figure 16 S-19255 Series B / D Type

4. Discharge shunt function (S-19255 Series A / B type)

The S-19255 Series A / B type has a built-in discharge shunt circuit to discharge the output capacitance. The output capacitance is discharged as follows so that the VOUT pin reaches the VSS level.

- (1) The ON / OFF pin is set to OFF level.
- (2) The output transistor is turned off.
- (3) The discharge shunt circuit is turned on.
- (4) The output capacitor discharges.

Since the S-19255 Series C / D type does not have a discharge shunt circuit, the VOUT pin is set to the VSS level through several hundred kΩ internal divided resistors between the VOUT pin and the VSS pin. The S-19255 Series A / B type allows the VOUT pin to reach the VSS level rapidly due to the discharge shunt circuit.



*1. Parasitic diode

Figure 17

5. Pull-down resistor (S-19255 Series A / C type)

The ON / OFF pin is internally pulled down to the VSS pin in the floating status, so the VOUT pin is set to the VSS level.

Note that the IC's current consumption increases as much as current flows into the pull-down resistor of 2.2 MΩ typ. when the ON / OFF pin is connected to the VIN pin and the S-19255 Series A / C type is operating.

6. Overcurrent protection circuit

The S-19255 Series has a built-in overcurrent protection circuit to limit the overcurrent of the output transistor. When the VOUT pin is shorted to the VSS pin, that is, at the time of the output short-circuit, the output current is limited to 50 mA typ. due to the overcurrent protection circuit operation. The S-19255 Series restarts regulating when the output transistor is released from the overcurrent status.

Caution This overcurrent protection circuit does not work as for thermal protection. For example, when the output transistor keeps the overcurrent status long at the time of output short-circuit or due to other reasons, pay attention to the conditions of the input voltage and the load current so as not to exceed the power dissipation.

7. Thermal shutdown circuit

The S-19255 Series has a built-in thermal shutdown circuit to limit overheating. When the junction temperature increases to 175°C typ., the thermal shutdown circuit becomes the detection status, and the regulating is stopped. When the junction temperature decreases to 155°C typ., the thermal shutdown circuit becomes the release status, and the regulator is restarted.

If the thermal shutdown circuit becomes the detection status due to self-heating, the regulating is stopped and VOUT decreases. For this reason, the self-heating is limited and the temperature of the IC decreases. The thermal shutdown circuit becomes release status when the temperature of the IC decreases, and the regulating is restarted thus the self-heating is generated again. Repeating this procedure makes the waveform of VOUT into a pulse-like form.

This phenomenon continues unless decreasing either or both of the input voltage and the output current in order to reduce the internal power consumption, or decreasing the ambient temperature. Note that the product may suffer physical damage such as deterioration if the above phenomenon occurs continuously.

Caution If a large load current flows during the restart process of regulating after the thermal shutdown circuit changes to the release status from the detection status, the thermal shutdown circuit becomes the detection status again due to self-heating, and a problem may happen in the restart of regulating. A large load current, for example, occurs when charging to the CL whose capacitance is large.

Perform thorough evaluation including the temperature characteristics with an actual application to select CL.

Table 13

Thermal Shutdown Circuit	VOUT Pin Voltage
Release: 155°C typ.*1	Constant value*2
Detection: 175°C typ.*1	Pulled down to VSS*3

*1. Junction temperature

*2. The constant value is output due to the regulating based on the set output voltage value.

*3. The VOUT pin voltage is pulled down to VSS due to the feedback resistors (Rs and Rf) and a load.

■ Precautions

- Generally, when a voltage regulator is used under the condition that the load current value is small (0.1 mA or less), the output voltage may increase due to the leakage current of an output transistor.
- Generally, when a voltage regulator is used under the condition that the temperature is high, the output voltage may increase due to the leakage current of an output transistor.
- Generally, when the ON / OFF pin is used under the condition of OFF, the output voltage may increase due to the leakage current of an output transistor.
- Generally, when a voltage regulator is used under the condition that the impedance of the power supply is high, an oscillation may occur. Perform thorough evaluation including the temperature characteristics with an actual application to select C_{IN} .
- Generally, in a voltage regulator, an oscillation may occur depending on the selection of the external parts. The following use conditions are recommended in the S-19255 Series, however, perform thorough evaluation including the temperature characteristics with an actual application to select C_{IN} and C_L .

Input capacitor (C_{IN}): A ceramic capacitor with capacitance of 0.1 μ F or more is recommended.

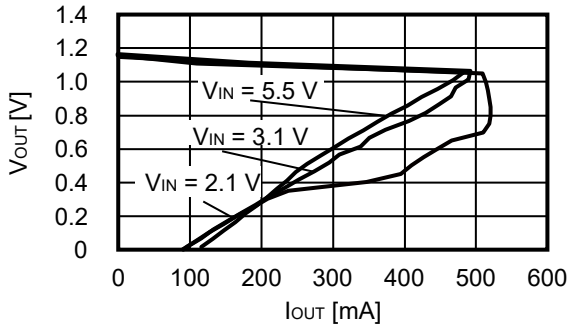
Output capacitor (C_L): A ceramic capacitor with capacitance of 1.0 μ F or more is recommended.

- Generally, in a voltage regulator, the values of an overshoot and an undershoot in the output voltage vary depending on the variation factors of input voltage start-up, input voltage fluctuation and load fluctuation etc., or the capacitance of C_{IN} or C_L and the value of the equivalent series resistance (ESR), which may cause a problem to the stable operation. Perform thorough evaluation including the temperature characteristics with an actual application to select C_{IN} and C_L .
- Generally, in a voltage regulator, an overshoot may occur in the output voltage momentarily if the input voltage steeply changes when the input voltage is started up or the input voltage fluctuates etc. Perform thorough evaluation including the temperature characteristics with an actual application to confirm no problems happen.
- Generally, in a voltage regulator, if the VOUT pin is steeply shorted with GND, a negative voltage exceeding the absolute maximum ratings may occur in the VOUT pin due to resonance phenomenon of the inductance and the capacitance including C_L on the application. The resonance phenomenon is expected to be weakened by inserting a series resistor into the resonance path, and the negative voltage is expected to be limited by inserting a protection diode between the VOUT pin and the VSS pin.
- Make sure of the conditions for the input voltage, output voltage and the load current so that the internal loss does not exceed the power dissipation.
- Do not apply an electrostatic discharge to this IC that exceeds the performance ratings of the built-in electrostatic protection circuit.
- When considering the output current value that the IC is able to output, make sure of the output current value specified in **Table 11** in "**■ Electrical Characteristics**" and footnote *4 of the table.
- Wiring patterns on the application related to the VIN pin, the VOUT pin and the VSS pin should be designed so that the impedance is low. When mounting C_{IN} between the VIN pin and the VSS pin and C_L between the VOUT pin and the VSS pin, connect the capacitors as close as possible to the respective destination pins of the IC.
- In the package equipped with heat sink of backside, mount the heat sink firmly. Since the heat radiation differs according to the condition of the application, perform thorough evaluation with an actual application to confirm no problems happen.
- ABLIC Inc. claims no responsibility for any disputes arising out of or in connection with any infringement by products including this IC of patents owned by a third party.

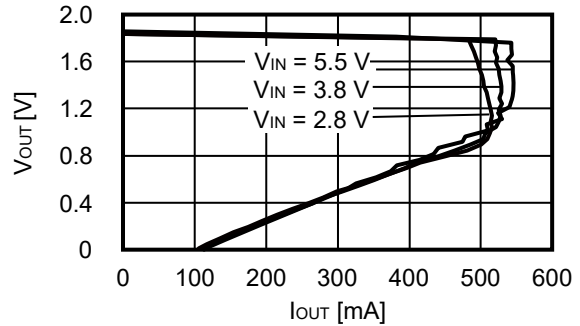
■ Characteristics (Typical Data)

1. Output voltage vs. Output current (When load current increases) (Ta = +25°C)

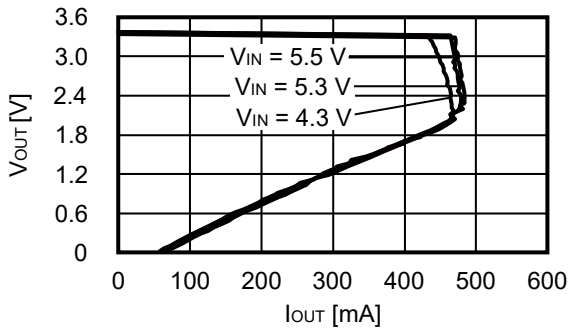
1.1 V_{OUT} = 1.1 V



1.2 V_{OUT} = 1.8 V



1.3 V_{OUT} = 3.3 V

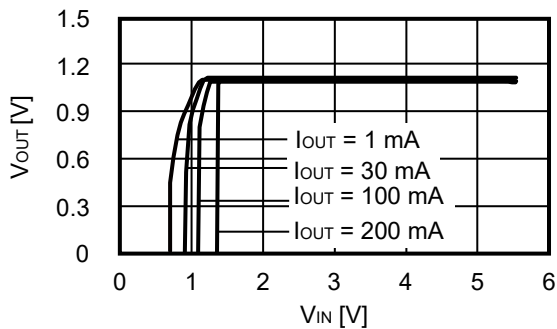


Remark In determining the output current, attention should be paid to the following.

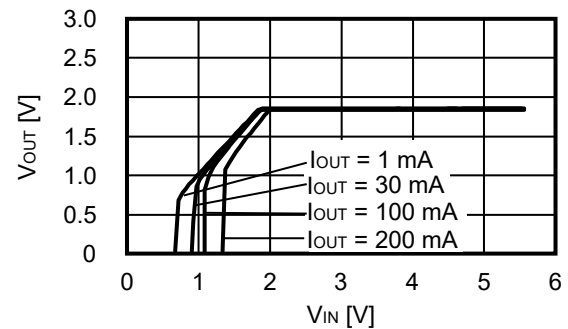
1. The minimum output current value and footnote *4 in Table 11 in "■ Electrical Characteristics"
2. Power dissipation

2. Output voltage vs. Input voltage (Ta = +25°C)

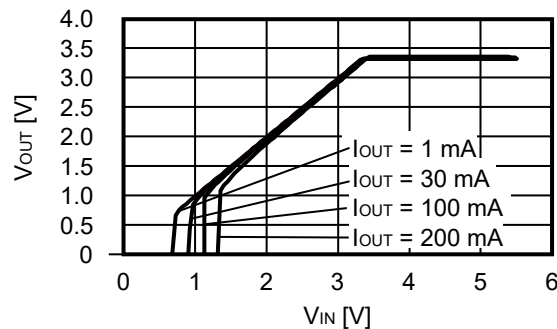
2.1 V_{OUT} = 1.1 V



2.2 V_{OUT} = 1.8 V



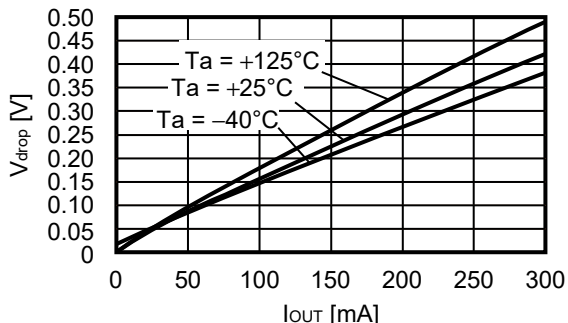
2.3 V_{OUT} = 3.3 V



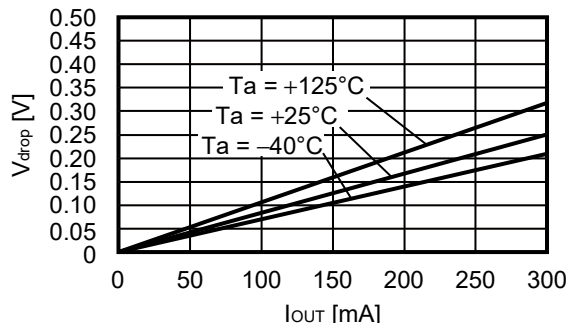
3. Dropout voltage vs. Output current

3.1 SOT-23-5

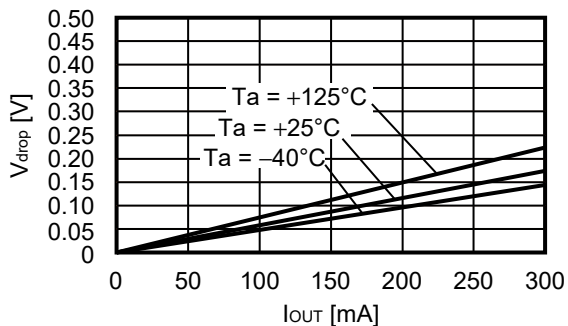
3.1.1 $V_{OUT} = 1.1\text{ V}$



3.1.2 $V_{OUT} = 1.8\text{ V}$

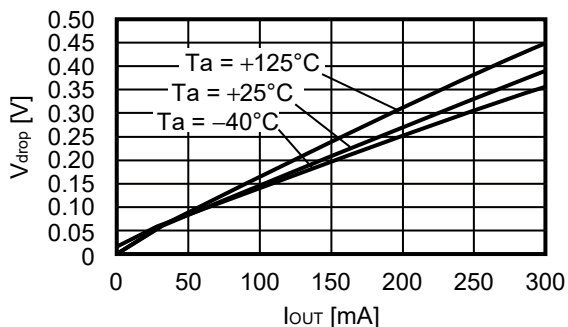


3.1.3 $V_{OUT} = 3.3\text{ V}$

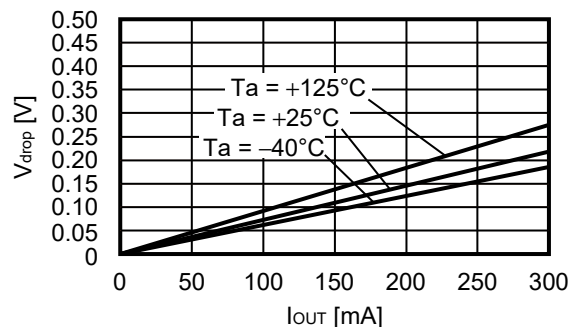


3.2 HSNT-4(1010)B

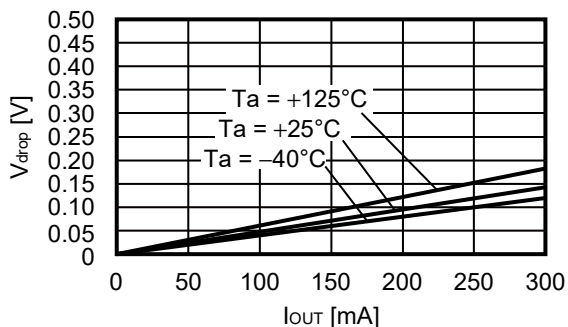
3.2.1 $V_{OUT} = 1.1\text{ V}$



3.2.2 $V_{OUT} = 1.8\text{ V}$

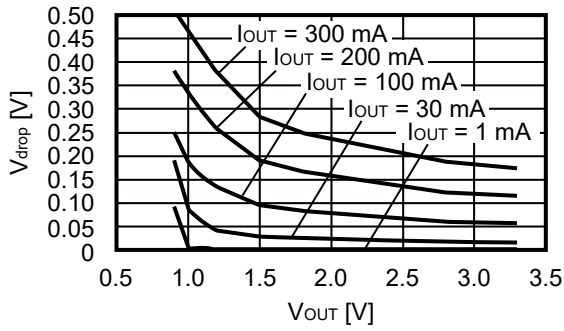


3.2.3 $V_{OUT} = 3.3\text{ V}$

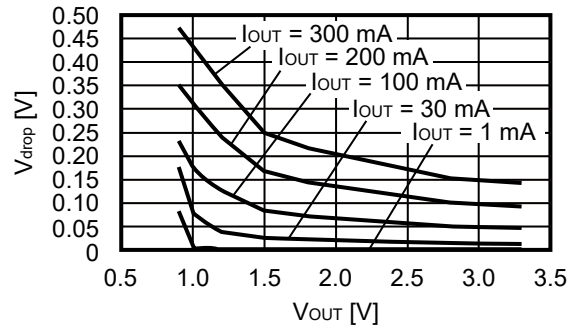


4. Dropout voltage vs. Set output voltage

4.1 SOT-23-5

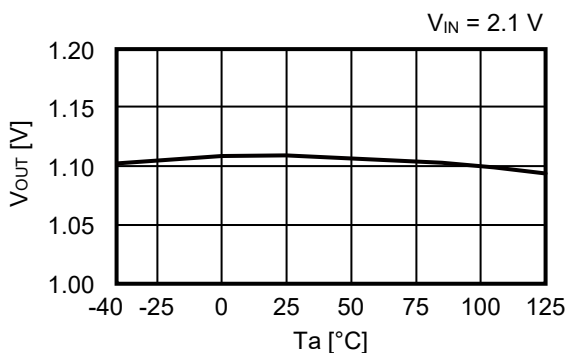


4.2 HSNT-4(1010)B

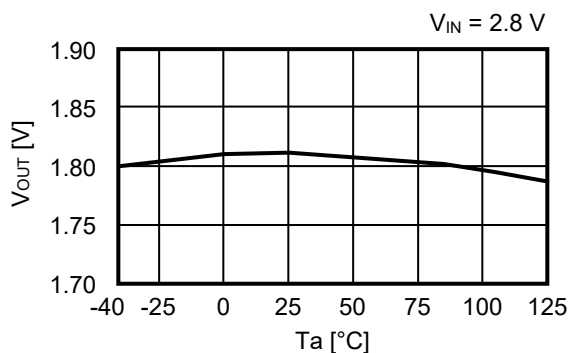


5. Output voltage vs. Ambient temperature

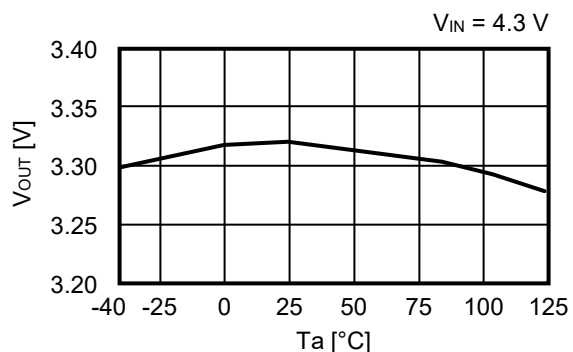
5.1 $V_{OUT} = 1.1\text{ V}$



5.2 $V_{OUT} = 1.8\text{ V}$

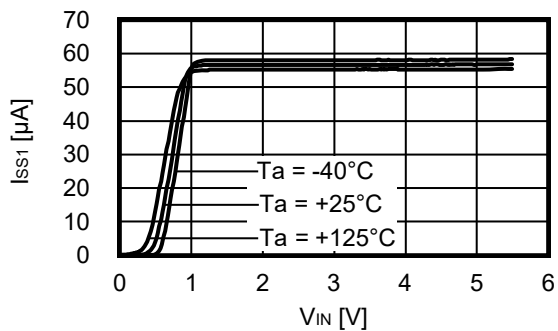


5.3 $V_{OUT} = 3.3\text{ V}$

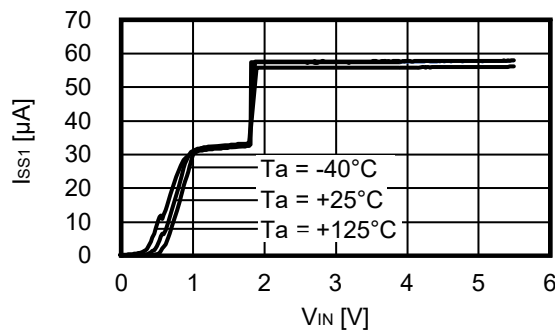


6. Current consumption vs. Input voltage

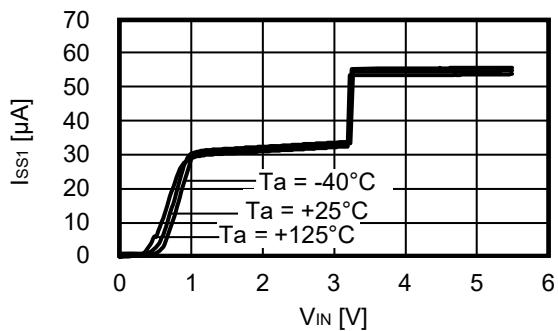
6.1 $V_{OUT} = 1.1\text{ V}$



6.2 $V_{OUT} = 1.8\text{ V}$

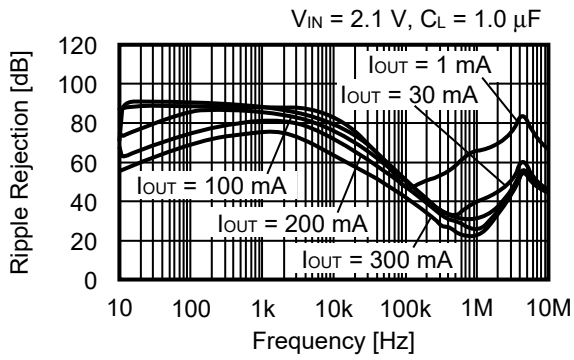


6.3 $V_{OUT} = 3.3\text{ V}$

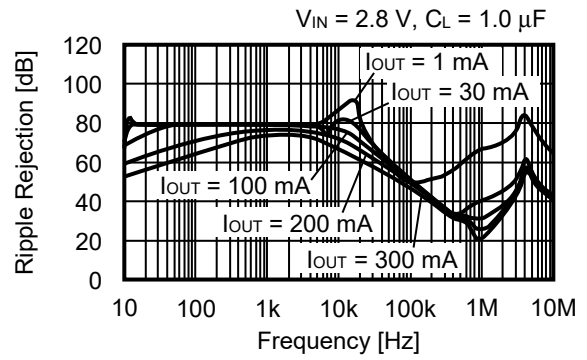


7. Ripple rejection ($T_a = +25^\circ\text{C}$)

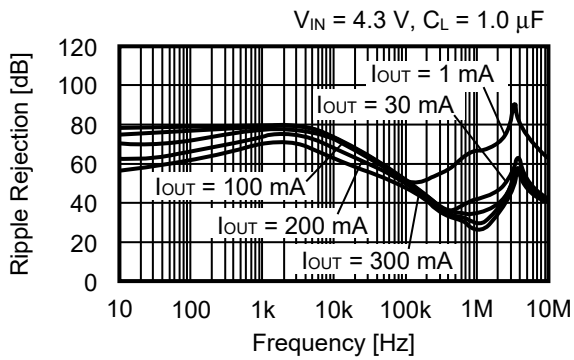
7.1 $V_{OUT} = 1.1\text{ V}$



7.2 $V_{OUT} = 1.8\text{ V}$



7.3 $V_{OUT} = 3.3\text{ V}$

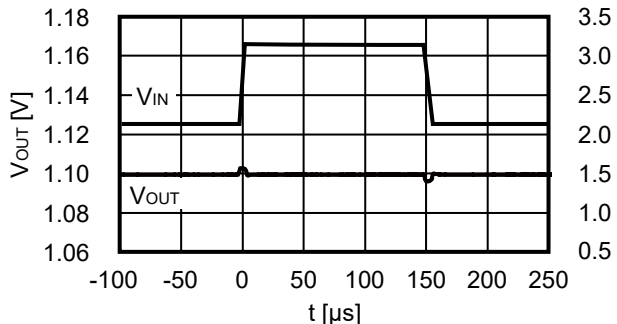


■ **Reference Data**

1. Transient response characteristics when input (Ta = +25°C)

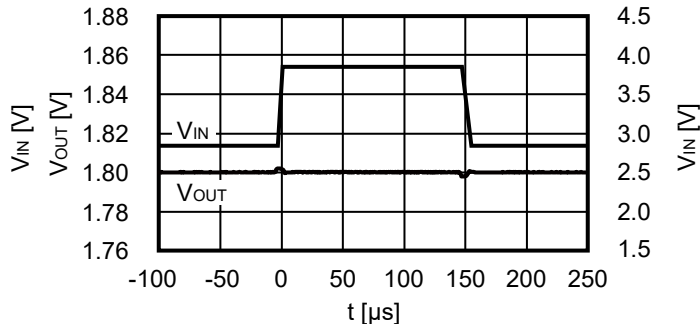
1.1 V_{OUT} = 1.1 V

I_{OUT} = 30 mA, C_{IN} = C_L = 1.0 μF,
 V_{IN} = 2.1 V ↔ 3.1 V, t_r = t_f = 5.0 μs



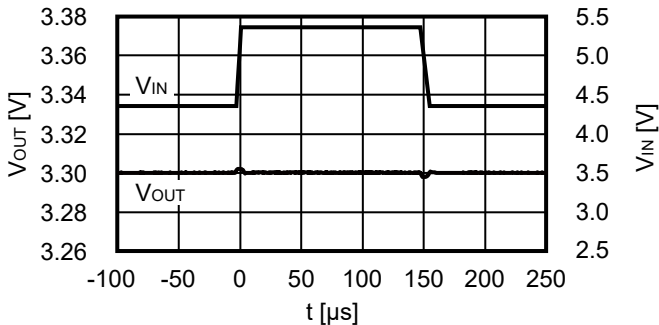
1.2 V_{OUT} = 1.8 V

I_{OUT} = 30 mA, C_{IN} = C_L = 1.0 μF,
 V_{IN} = 2.8 V ↔ 3.8 V, t_r = t_f = 5.0 μs



1.3 V_{OUT} = 3.3 V

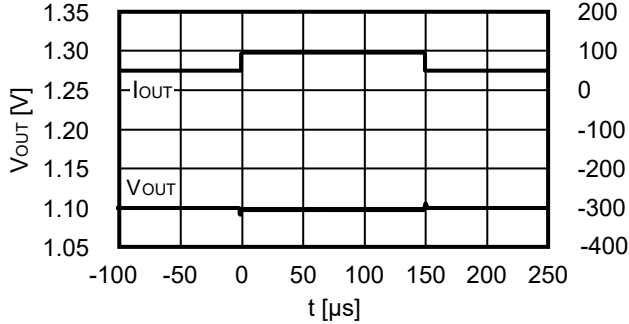
I_{OUT} = 30 mA, C_{IN} = C_L = 1.0 μF,
 V_{IN} = 4.3 V ↔ 5.3 V, t_r = t_f = 5.0 μs



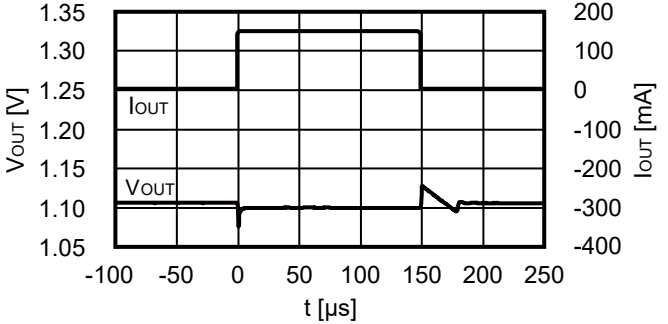
2. Transient response characteristics of load (Ta = +25°C)

2.1 V_{OUT} = 1.1 V

V_{IN} = 2.1 V, C_{IN} = C_L = 1.0 μF, I_{OUT} = 50 mA ↔ 100 mA

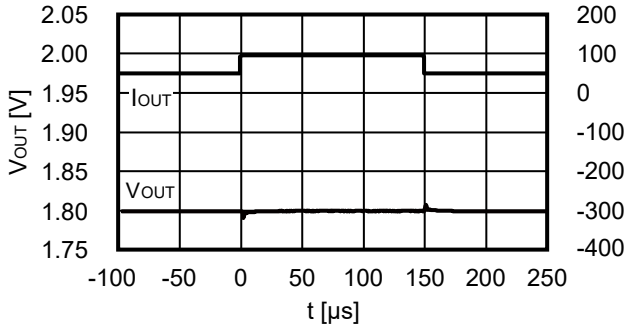


V_{IN} = 2.1 V, C_{IN} = C_L = 1.0 μF, I_{OUT} = 1 mA ↔ 150 mA

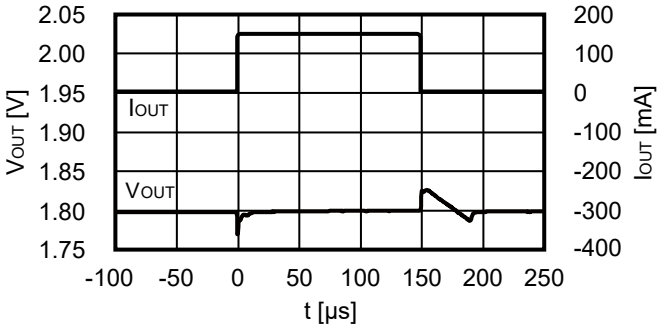


2.2 V_{OUT} = 1.8 V

V_{IN} = 2.8 V, C_{IN} = C_L = 1.0 μF, I_{OUT} = 50 mA ↔ 100 mA

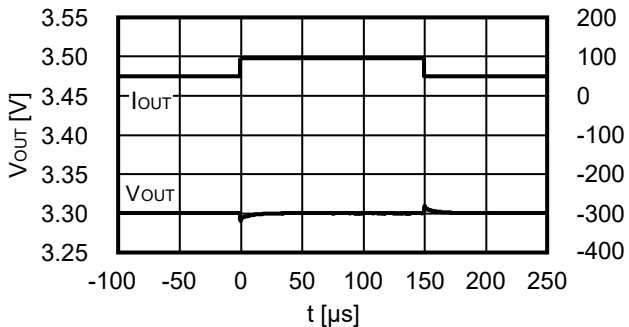


V_{IN} = 2.8 V, C_{IN} = C_L = 1.0 μF, I_{OUT} = 1 mA ↔ 150 mA

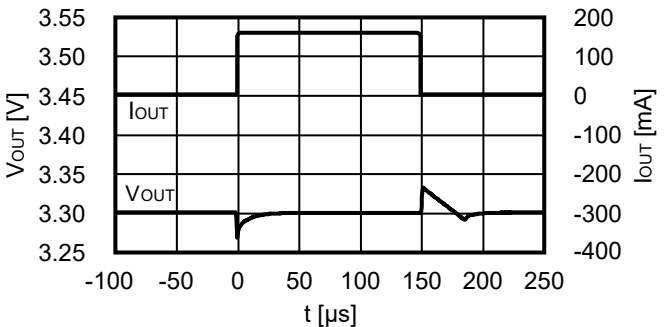


2.3 V_{OUT} = 3.3 V

V_{IN} = 4.3 V, C_{IN} = C_L = 1.0 μF, I_{OUT} = 50 mA ↔ 100 mA



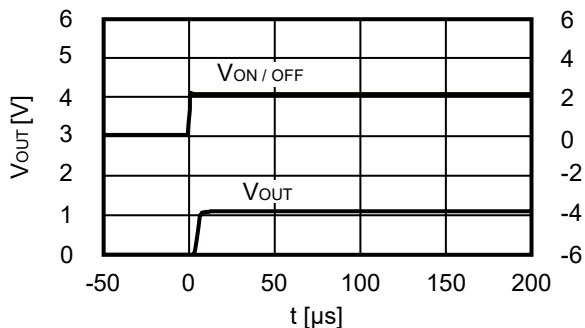
V_{IN} = 4.3 V, C_{IN} = C_L = 1.0 μF, I_{OUT} = 1 mA ↔ 150 mA



3. Transient response characteristics of ON / OFF pin ($T_a = +25^\circ\text{C}$)

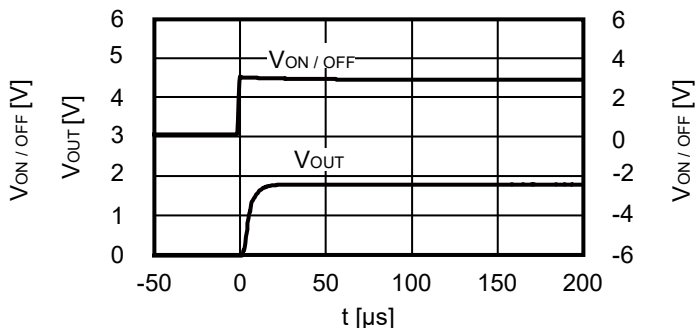
3.1 $V_{\text{OUT}} = 1.0 \text{ V}$

$V_{\text{IN}} = 2.1 \text{ V}$, $C_{\text{IN}} = C_{\text{L}} = 1.0 \mu\text{F}$, $I_{\text{OUT}} = 100 \text{ mA}$,
 $V_{\text{ON/OFF}} = 0 \text{ V} \rightarrow 2.1 \text{ V}$, $t_r = 1.0 \mu\text{s}$



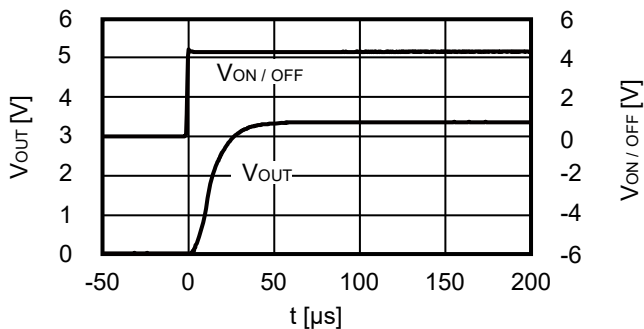
3.2 $V_{\text{OUT}} = 1.8 \text{ V}$

$V_{\text{IN}} = 2.8 \text{ V}$, $C_{\text{IN}} = C_{\text{L}} = 1.0 \mu\text{F}$, $I_{\text{OUT}} = 100 \text{ mA}$,
 $V_{\text{ON/OFF}} = 0 \text{ V} \rightarrow 2.8 \text{ V}$, $t_r = 1.0 \mu\text{s}$



3.3 $V_{\text{OUT}} = 3.3 \text{ V}$

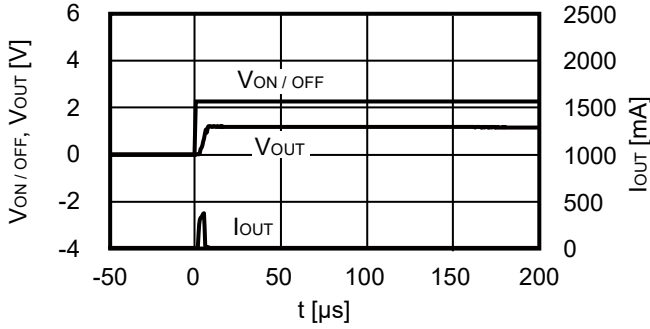
$V_{\text{IN}} = 4.3 \text{ V}$, $C_{\text{IN}} = C_{\text{L}} = 1.0 \mu\text{F}$, $I_{\text{OUT}} = 100 \text{ mA}$,
 $V_{\text{ON/OFF}} = 0 \text{ V} \rightarrow 4.3 \text{ V}$, $t_r = 1.0 \mu\text{s}$



4. Inrush current characteristics (Ta = +25°C)

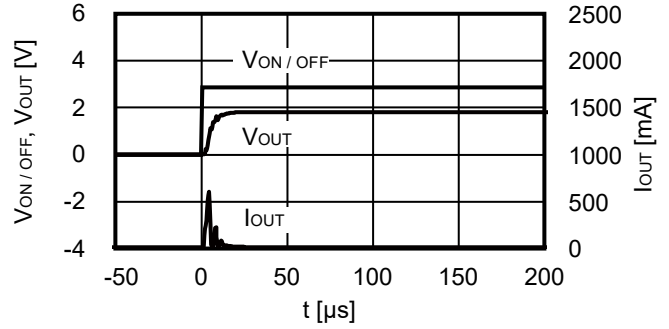
4.1 V_{OUT} = 1.1 V

V_{IN} = 2.1 V, C_{IN} = C_L = 1.0 μF, I_{OUT} = 0.1 mA,
V_{ON/OFF} = 0 V → 2.1 V, t_r = 1.0 μs



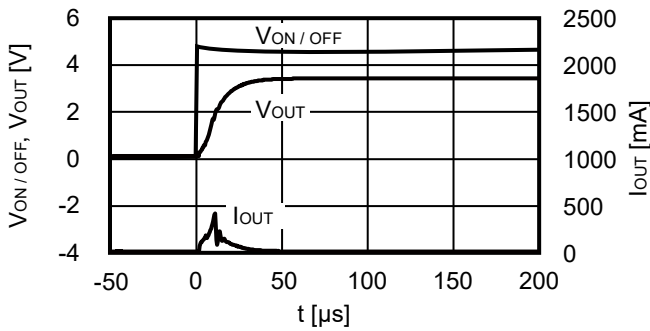
4.2 V_{OUT} = 1.8 V

V_{IN} = 2.8 V, C_{IN} = C_L = 1.0 μF, I_{OUT} = 0.1 mA,
V_{ON/OFF} = 0 V → 2.8 V, t_r = 1.0 μs



4.3 V_{OUT} = 3.3 V

V_{IN} = 4.3 V, C_{IN} = C_L = 1.0 μF, I_{OUT} = 0.1 mA,
V_{ON/OFF} = 0 V → 4.3 V, t_r = 1.0 μs



5. Example of equivalent series resistance vs. Output current characteristics (Ta = +25°C)

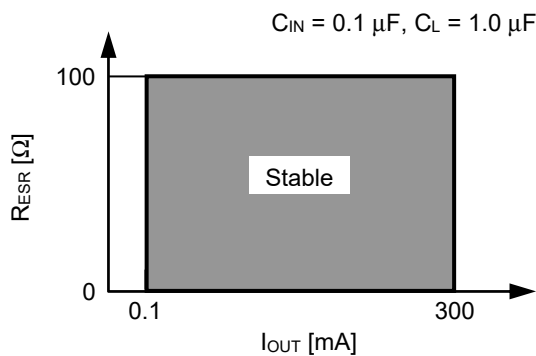
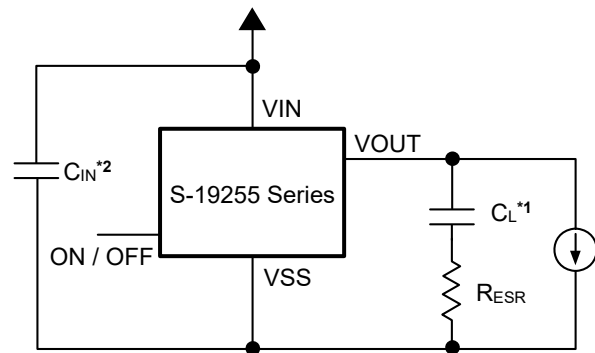


Figure 18

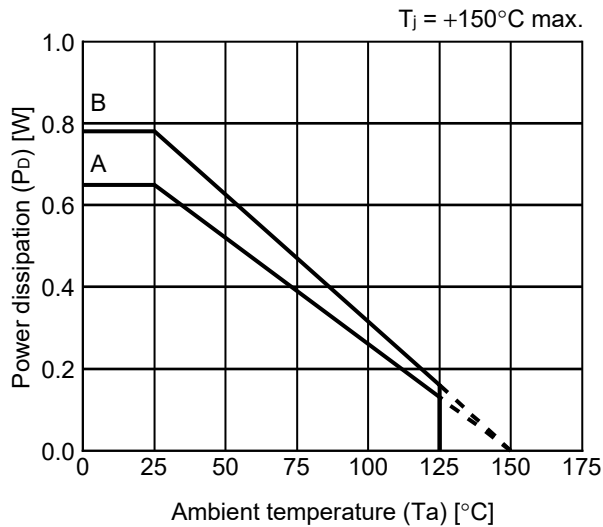


*1. C_L: TDK Corporation CGA5L3X8R1H105K (1.0 μF)
*2. C_{IN}: TDK Corporation CGA4J2X8R1H104K (0.1 μF)

Figure 19

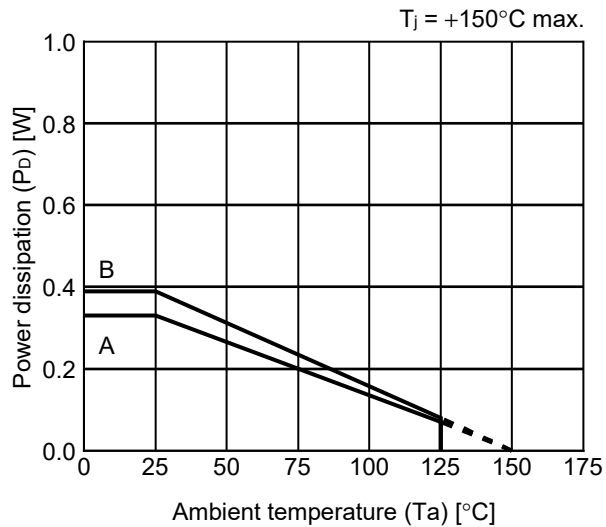
■ **Power Dissipation**

SOT-23-5



Board	Power Dissipation (P _D)
A	0.65 W
B	0.78 W
C	–
D	–
E	–

HSNT-4(1010)B



Board	Power Dissipation (P _D)
A	0.33 W
B	0.39 W
C	–
D	–
E	–

SOT-23-3/3S/5/6 Test Board

 IC Mount Area

(1) Board A



Item		Specification
Size [mm]		114.3 x 76.2 x t1.6
Material		FR-4
Number of copper foil layer		2
Copper foil layer [mm]	1	Land pattern and wiring for testing: t0.070
	2	-
	3	-
	4	74.2 x 74.2 x t0.070
Thermal via		-

(2) Board B




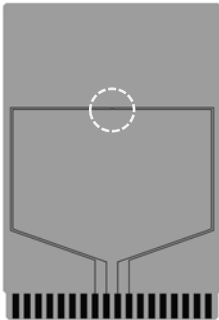
Item		Specification
Size [mm]		114.3 x 76.2 x t1.6
Material		FR-4
Number of copper foil layer		4
Copper foil layer [mm]	1	Land pattern and wiring for testing: t0.070
	2	74.2 x 74.2 x t0.035
	3	74.2 x 74.2 x t0.035
	4	74.2 x 74.2 x t0.070
Thermal via		-

No. SOT23x-A-Board-SD-2.0

HSNT-4(1010)B Test Board

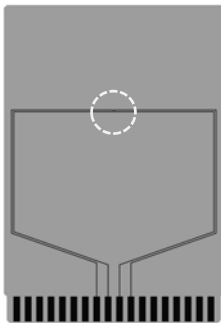
(1) Board A

 IC Mount Area



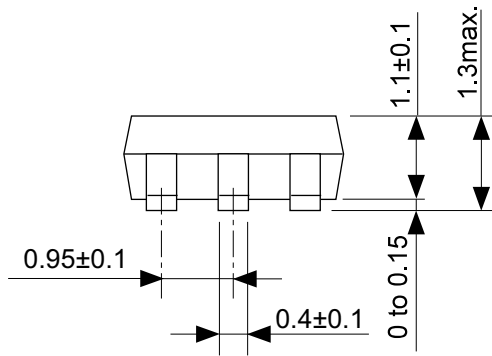
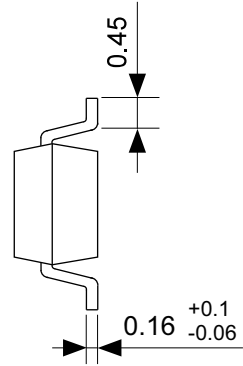
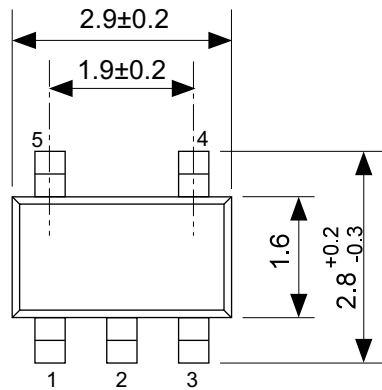
Item		Specification
Size [mm]		114.3 x 76.2 x t1.6
Material		FR-4
Number of copper foil layer		2
Copper foil layer [mm]	1	Land pattern and wiring for testing: t0.070
	2	-
	3	-
	4	74.2 x 74.2 x t0.070
Thermal via		-

(2) Board B



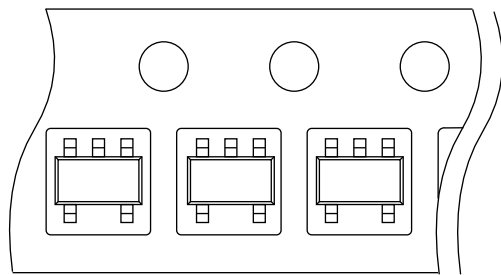
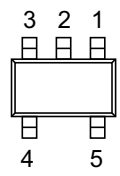
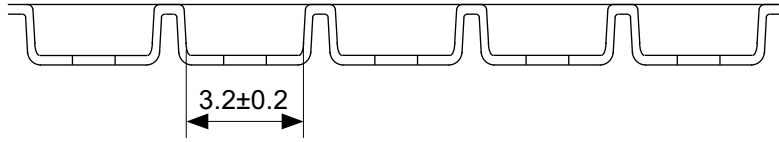
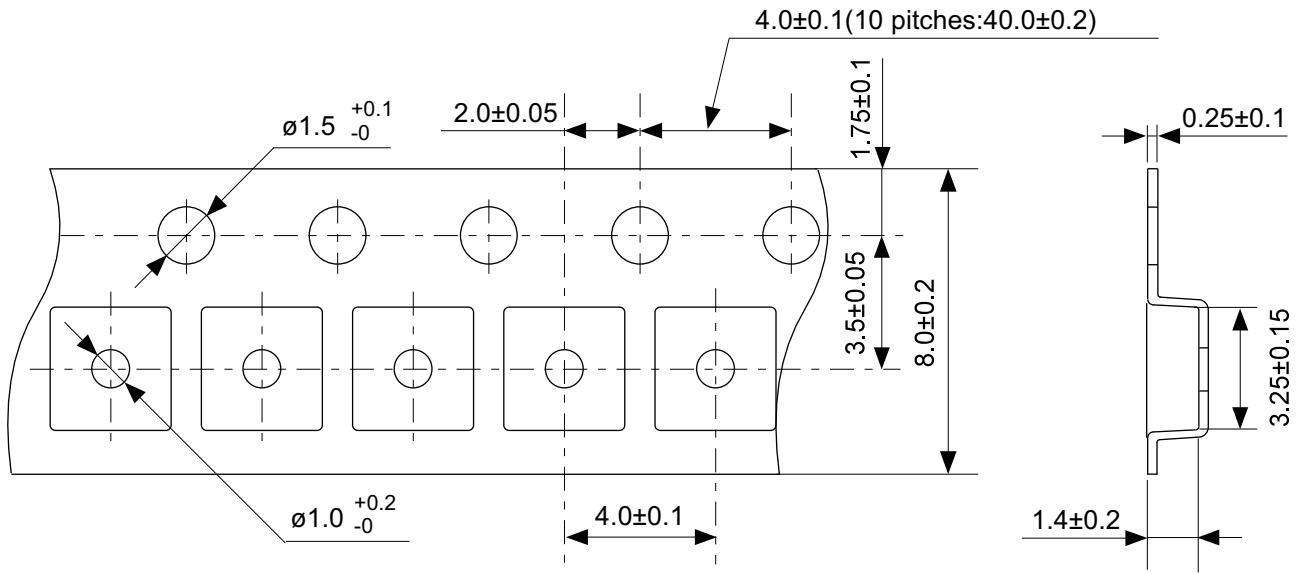
Item		Specification
Size [mm]		114.3 x 76.2 x t1.6
Material		FR-4
Number of copper foil layer		4
Copper foil layer [mm]	1	Land pattern and wiring for testing: t0.070
	2	74.2 x 74.2 x t0.035
	3	74.2 x 74.2 x t0.035
	4	74.2 x 74.2 x t0.070
Thermal via		-

No. HSNT4-D-Board-SD-1.0



No. MP005-A-P-SD-1.3

TITLE	SOT235-A-PKG Dimensions
No.	MP005-A-P-SD-1.3
ANGLE	
UNIT	mm
ABLIC Inc.	

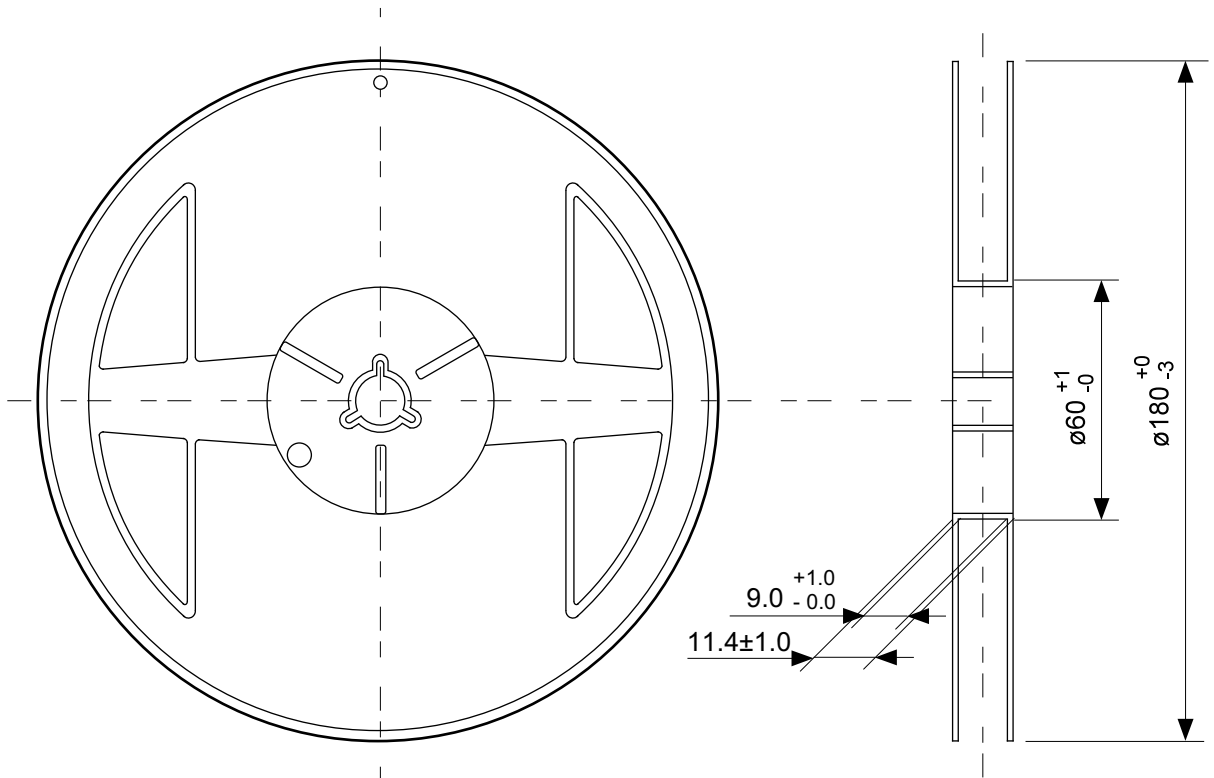


→
Feed direction

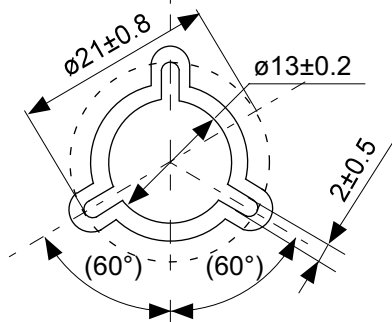
No. MP005-A-C-SD-2.1

TITLE	SOT235-A-Carrier Tape
No.	MP005-A-C-SD-2.1
ANGLE	
UNIT	mm

ABLIC Inc.

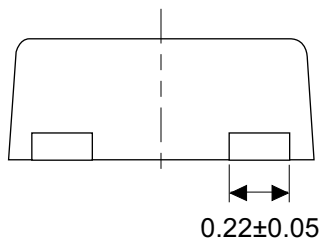
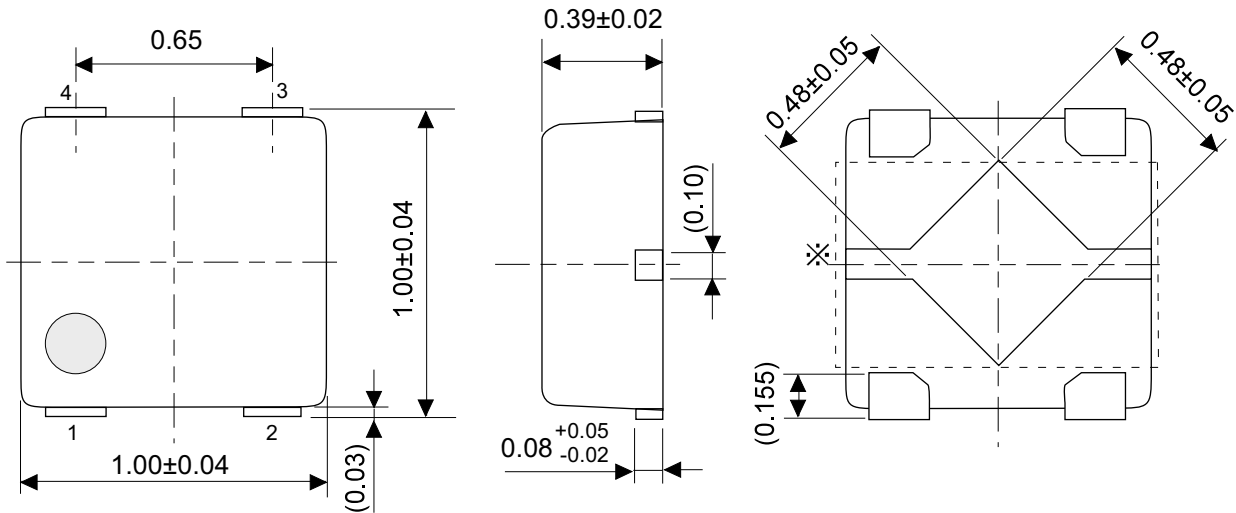


Enlarged drawing in the central part



No. MP005-A-R-SD-2.0

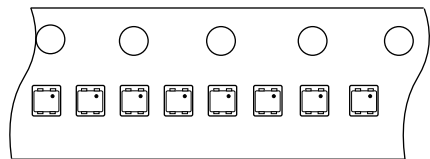
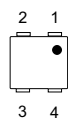
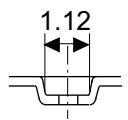
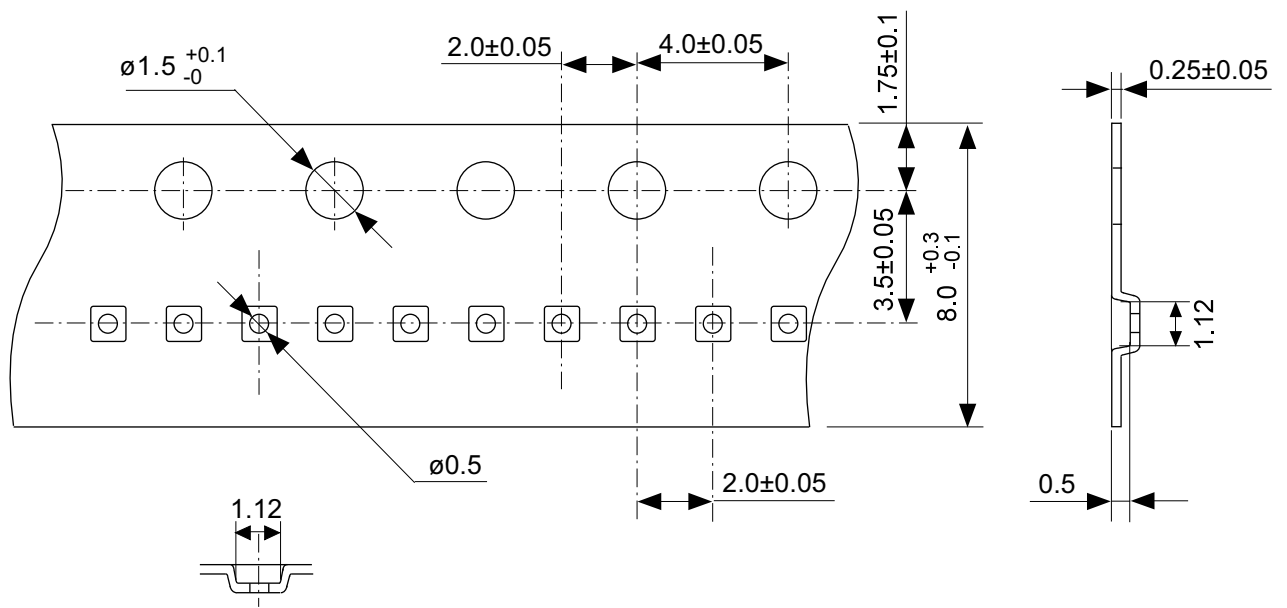
TITLE	SOT235-A-Reel		
No.	MP005-A-R-SD-2.0		
ANGLE		QTY.	3,000
UNIT	mm		
ABLIC Inc.			



※ The heat sink of back side has different electric potential depending on the product.
 Confirm specifications of each product.
 Do not use it as the function of electrode.

No. PL004-B-P-SD-1.0

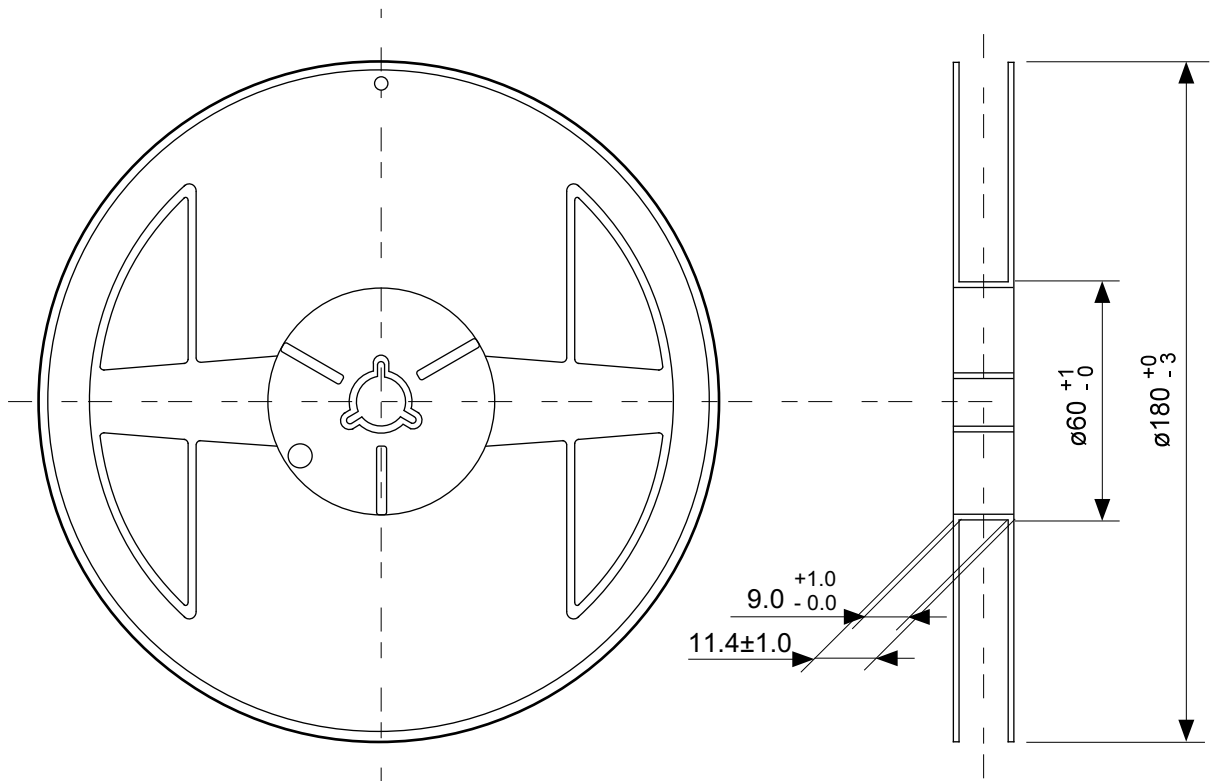
TITLE	HSNT-4-D-PKG Dimensions
No.	PL004-B-P-SD-1.0
ANGLE	
UNIT	mm
ABLIC Inc.	



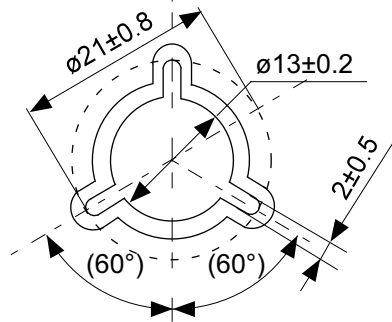
Feed direction →

No. PL004-B-C-SD-1.0

TITLE	HSNT-4-D-Carrier Tape
No.	PL004-B-C-SD-1.0
ANGLE	
UNIT	mm
ABLIC Inc.	



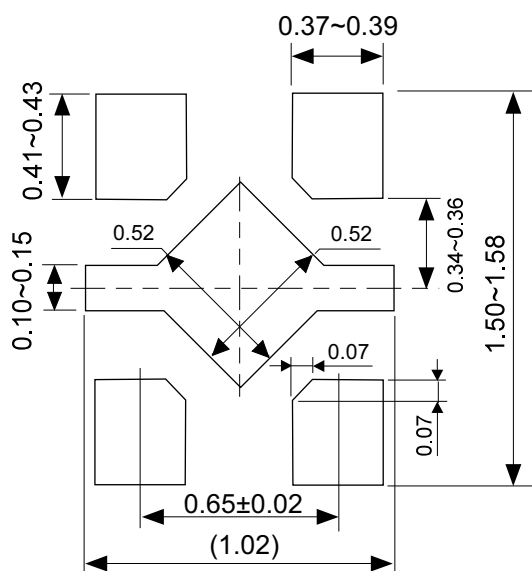
Enlarged drawing in the central part



No. PL004-B-R-SD-2.0

TITLE	HSNT-4-D-Reel		
No.	PL004-B-R-SD-2.0		
ANGLE		QTY.	10,000
UNIT	mm		
ABLIC Inc.			

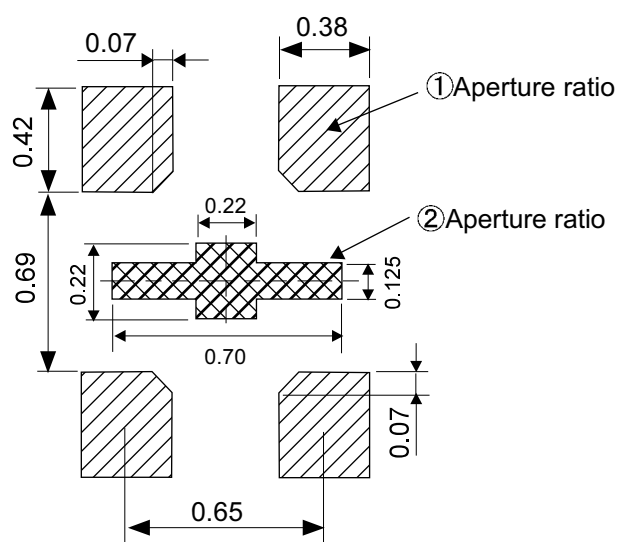
Land Pattern



Caution It is recommended to solder the heat sink to a board in order to ensure the heat radiation.

注意 放熱性を確保する為に、PKGの裏面放熱板(ヒートシンク)を基板に半田付けする事を推奨いたします。

Metal Mask Pattern



Caution ① Mask aperture ratio of the lead mounting part is 100%.
 ② Mask aperture ratio of the heat sink mounting part is approximately 40%.
 ③ Mask thickness: $t0.12$ mm

注意 ①リード実装部のマスク開口率は100%です。
 ②放熱板実装のマスク開口率は約40%です。
 ③マスク厚み: t 0.12 mm

No. PL004-B-L-SD-1.0

TITLE	HSNT-4-D -Land Recommendation
No.	PL004-B-L-SD-1.0
ANGLE	
UNIT	mm
ABLIC Inc.	

Disclaimers (Handling Precautions)

1. All the information described herein (product data, specifications, figures, tables, programs, algorithms and application circuit examples, etc.) is current as of publishing date of this document and is subject to change without notice.
2. The circuit examples and the usages described herein are for reference only, and do not guarantee the success of any specific mass-production design.
ABLIC Inc. is not liable for any losses, damages, claims or demands caused by the reasons other than the products described herein (hereinafter "the products") or infringement of third-party intellectual property right and any other right due to the use of the information described herein.
3. ABLIC Inc. is not liable for any losses, damages, claims or demands caused by the incorrect information described herein.
4. Be careful to use the products within their ranges described herein. Pay special attention for use to the absolute maximum ratings, operation voltage range and electrical characteristics, etc.
ABLIC Inc. is not liable for any losses, damages, claims or demands caused by failures and / or accidents, etc. due to the use of the products outside their specified ranges.
5. Before using the products, confirm their applications, and the laws and regulations of the region or country where they are used and verify suitability, safety and other factors for the intended use.
6. When exporting the products, comply with the Foreign Exchange and Foreign Trade Act and all other export-related laws, and follow the required procedures.
7. The products are strictly prohibited from using, providing or exporting for the purposes of the development of weapons of mass destruction or military use. ABLIC Inc. is not liable for any losses, damages, claims or demands caused by any provision or export to the person or entity who intends to develop, manufacture, use or store nuclear, biological or chemical weapons or missiles, or use any other military purposes.
8. The products are not designed to be used as part of any device or equipment that may affect the human body, human life, or assets (such as medical equipment, disaster prevention systems, security systems, combustion control systems, infrastructure control systems, vehicle equipment, traffic systems, in-vehicle equipment, aviation equipment, aerospace equipment, and nuclear-related equipment), excluding when specified for in-vehicle use or other uses by ABLIC, Inc. Do not apply the products to the above listed devices and equipments.
ABLIC Inc. is not liable for any losses, damages, claims or demands caused by unauthorized or unspecified use of the products.
9. In general, semiconductor products may fail or malfunction with some probability. The user of the products should therefore take responsibility to give thorough consideration to safety design including redundancy, fire spread prevention measures, and malfunction prevention to prevent accidents causing injury or death, fires and social damage, etc. that may ensue from the products' failure or malfunction.
The entire system in which the products are used must be sufficiently evaluated and judged whether the products are allowed to apply for the system on customer's own responsibility.
10. The products are not designed to be radiation-proof. The necessary radiation measures should be taken in the product design by the customer depending on the intended use.
11. The products do not affect human health under normal use. However, they contain chemical substances and heavy metals and should therefore not be put in the mouth. The fracture surfaces of wafers and chips may be sharp. Be careful when handling these with the bare hands to prevent injuries, etc.
12. When disposing of the products, comply with the laws and ordinances of the country or region where they are used.
13. The information described herein contains copyright information and know-how of ABLIC Inc. The information described herein does not convey any license under any intellectual property rights or any other rights belonging to ABLIC Inc. or a third party. Reproduction or copying of the information from this document or any part of this document described herein for the purpose of disclosing it to a third-party is strictly prohibited without the express permission of ABLIC Inc.
14. For more details on the information described herein or any other questions, please contact ABLIC Inc.'s sales representative.
15. This Disclaimers have been delivered in a text using the Japanese language, which text, despite any translations into the English language and the Chinese language, shall be controlling.

2.4-2019.07